

KSS08T1U

EIGHT-VIDEO AND SINGLE VIDEO AUTO SWITCHER



The KSS08T1U is a low cost desktop, eight-video input and single video output auto sequential switcher. Allows up to eight video inputs from cameras, vcr's, mux's etc. to be selected to a single video output monitor, vcr, video printer or other devices. Compatible with composite video signal sources NTSC/PAL and color or monochrome. Utilizes vertical interval switching that provides smooth switching without picture roll or flutter. Adjustable control for switching dwell time of 1 to 40 seconds and LED indicators display active video input. Video input switches allow you to bypass, home on or automatically scan all video inputs. Able to be rack mounted using optional rack mounting kits. Two year warranty.

- **8 Video Inputs**
- **1 Video Output**
- **Vertical Interval Switching**
- **1 to 40 Second Dwell Time**
- **Home, Bypass & Auto Selectable**
- **Led Active Indicators**
- **Rack Mountable (using optional rack mount kit)**
- **Two Year Warranty**



KSS08T1U

TECHNICAL SPECIFICATIONS

GENERAL

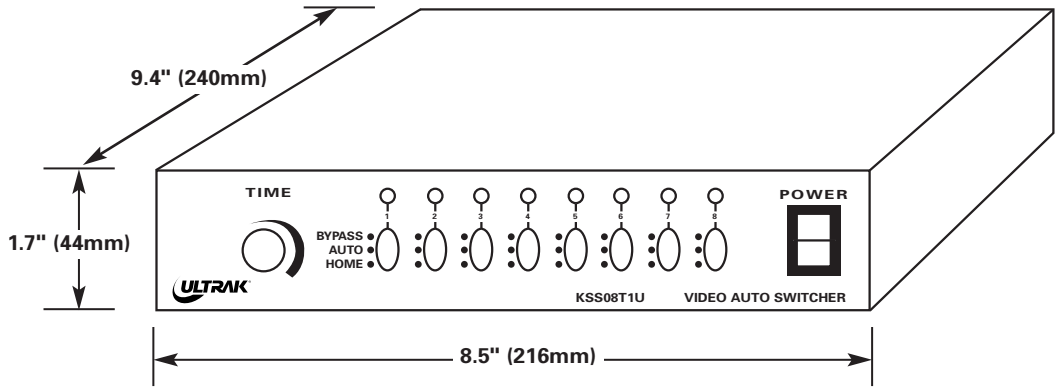
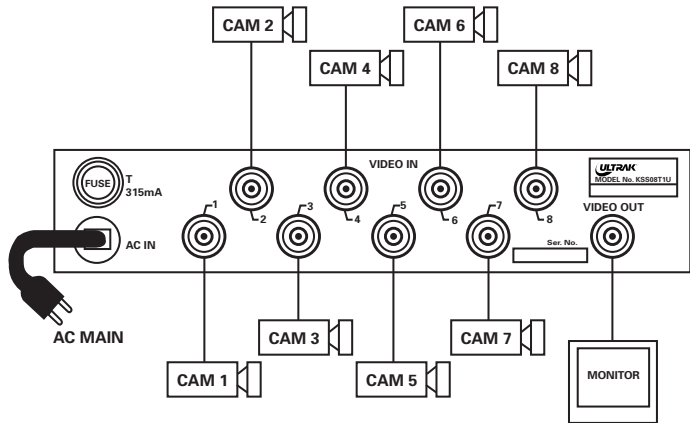
Video Input NTSC, PAL 1Vp-p / 75 Ohms, BNC
Video Output NTSC, PAL 1Vp-p / 75 Ohms, BNC
Video Bandwidth 10MHz ± 3dB
Video Gain Unity
Signal/Noise Ratio >55dB
Crosstalk >40dB
Switching Type Vertical Interval
Switching Interval Adjustable, 1-40 seconds
Ambient Temperature 14°F to 104°F (-10°C to +40°C)
Ambient Humidity 10-90% (non-condensing)

Power

Power Requirement 110V, 60Hz
Power Consumption 6W Max.

MECHANICAL


Dimensions 8.5 x 1.7 x 9.4 in. (216 x 44 x 240mm)
Weight 4.85 lb. (2.2Kg)



Design and specifications subject to change without notice.

Conversion: 1" = 25.4mm
Measurement conversions are approximate

Ultrak Worldwide Support Center:
1301 Waters Ridge Drive
Lewisville, TX 75057
(800) 796-2288 (972) 353-6500
Fax (972) 353-6670



www.ultrak.com