

# "E" Series Lenses

1/3" Format Varifocal, Manual and Auto Iris Lenses



## Features:

- 1/3" Format
- CS Mount
- Varifocal lengths:
  - 3.5 to 8mm
  - 2.8 to 10mm
  - 5 to 50mm
- Durable metal threading
- Manual and DC Auto Iris versions
- 4-pin connector on AI models
- Set screws to hold focus settings
- Sharp Optical Focus

Honeywell Video Systems "E" series lens line provides outstanding value in all your CCTV installations. In three varifocal versions, 3.5 to 8, 2.8 to 10, and 5 to 50mm, the "E" series lenses are able to meet the requirements of the vast majority of CCTV installations.

Each lens has been value engineered to give reliable, consistent optical performance in a variety of applications. All of Honeywell Video Systems "E" series lenses are 1/3" format and are compatible with the majority of the

CCD security cameras in today's market. All of the auto-iris versions include an industry standard 4 pin connector for iris control from the camera. All models include durable metal threading and set screws to ensure that focus remains sharp after installation.

The variable focal lengths allow the installer the flexibility of obtaining the exact field of view quickly and easily, eliminating the need to make lens substitutions or continuously having to adjust the camera setup. This is especially convenient for

future changes to the camera environment or field of view. The 3.5 to 8mm and 2.8 to 10mm manual and auto iris lenses have an f-stop of 1.4, and the 5 to 50mm manual and auto iris lenses have an f-stop of 1.7 for quality low light performance.

Lens selection is one of the most critical elements in a CCTV installation. Honeywell Video System's "E" series lens line assures reliability, ease of installation, and quality video in a wide range of applications.

# "E" Series Lenses

## Specifications:

### HLM35V8E Manual Iris

Image Format: 1/3"  
 Focal Length: 3.5mm - 8mm  
 Iris Range: F1.4 - Close  
 Back Focus Distance: 8.64 - 14.16mm  
 Weight: 76g  
 Lens Mount: CS  
 Iris Control: Manual  
 Focus Control: Manual  
 Dimensions (DxL): 37.6mm x 47.1mm

### HLD35V8E Auto Iris

Image Format: 1/3"  
 Focal Length: 3.5mm - 8mm  
 Iris Range: F1.4 - T360  
 Back Focus Distance: 8.64 - 14.16mm  
 Weight: 90g  
 Lens Mount: CS  
 Iris Control: 4-pin DC Control  
 Focus Control: Manual  
 Dimensions (mm): 36D x 47.1H x 48.1L

### HLM28V10E Manual Iris

Image Format: 1/3"  
 Focal Length: 2.8mm - 10mm  
 Iris Range: F1.4 - Close  
 Back Focus Distance: 7.8 - 17mm  
 Weight: 51g  
 Lens Mount: CS  
 Iris Control: Manual  
 Focus Control: Manual  
 Dimensions (DxL): 34.5mm x 60.3mm

### HLD28V10E Auto Iris

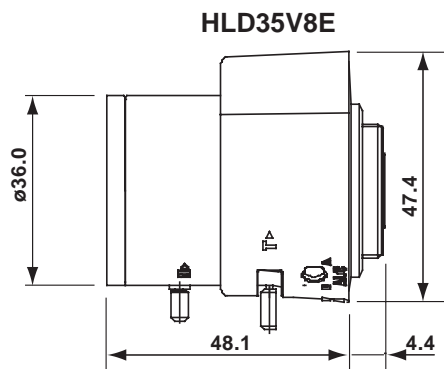
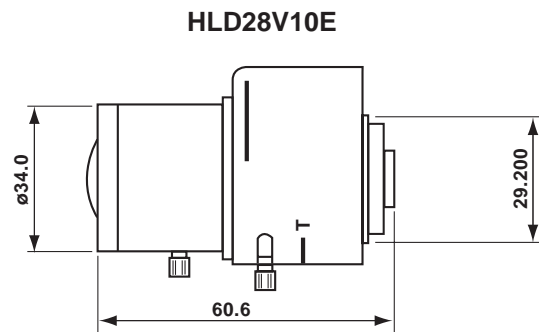
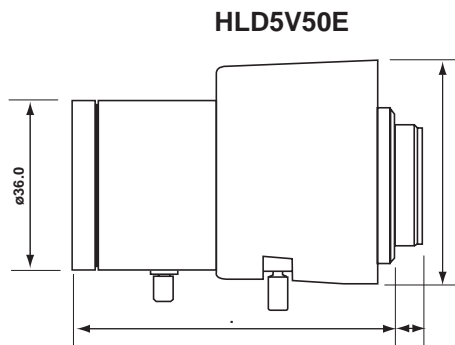
Image Format: 1/3"  
 Focal Length: 2.8mm - 10mm  
 Iris Range: F1.4 - T360  
 Back Focus Distance: 7.8 - 17mm  
 Weight: 61g  
 Lens Mount: CS  
 Iris Control: 4-pin DC Control  
 Focus Control: Manual  
 Dimensions (mm): 40D x 46H x 60.3L

### HLM5V50E Manual Iris

Image Format: 1/3"  
 Focal Length: 5mm to 50mm  
 Iris Range: F1.7 - Close  
 Back Focus Distance: 7.6 - 11mm  
 Weight: 130g  
 Lens Mount: CS  
 Iris Control: Manual  
 Focus Control: Manual  
 Dimensions (DxL): 44mm x 66.0mm

### HLD5V50E Auto Iris

Image Format: 1/3"  
 Focal Length: 5mm to 50mm  
 Iris Range: F1.7 - T360  
 Back Focus Distance: 7.6 - 11mm  
 Weight: 140g  
 Lens Mount: CS  
 Iris Control: 4-pin DC Control  
 Focus Control: Manual  
 Dimensions (mm): 44.5D x 50.8H x 66L



Design and specifications subject to change without notice.

Honeywell Video Systems - [www.honeywellvideo.com](http://www.honeywellvideo.com)

North America  
1.800.796.CCTV

Europe  
44.1928.754000

Asia  
61.2.8837.9300

Latin America  
1.305.805.8188