

ACUIX™ PTZ Dome

HIGH SPEED DOME SYSTEM

The ACUIX™ PTZ dome features five housing configurations and four integrated high-resolution, auto-focus cameras for virtually any application. The colour camera is available with an 18X zoom lens and 460 TVL PAL of resolution. The Wide Dynamic Range (WDR) and True Day/Night (TDN) models feature 18X, 26X and 35X zoom lenses and up to 530 TVL PAL of resolution. The 35X model also includes Electronic Image Stabilisation (EIS) for improved image quality in unstable mounting situations.

The ACUIX PTZ dome uses Honeywell proprietary technology that allows users to remotely upload firmware to all domes and permits secure storage of all camera settings such as labels, presets, tours, and privacy zones.

The ACUIX PTZ dome comes with many software features that increase performance and make installation and operation easy. Dynamic Privacy Zones allow a user to mask up to 32 regions to ensure absolute privacy for sensitive areas. Password protection prevents unauthorised users from changing the system settings. Other features include Flashback for quick review of two scenes and StillShot to save storage space during tours. Multi-language menus are provided for English, French, German, Dutch, Italian, Polish, and Spanish.

Market Opportunities

The combination of the latest in digital technology, advanced video processing, and aesthetically pleasing design makes the ACUIX ideally suited for retailers, airports, government installations, schools and campuses, industrial environments, and anywhere detailed surveillance is essential. Highly reliable, the ACUIX offers world-class performance and seamless system integration.

Features

- 35X, 530 TVL, 128X Wide Dynamic Range (WDR), True Day/Night Motion Detection, and Electronic Stabilisation (HDXG series)
- 18X & 26X, 530 TVL, 128X Wide Dynamic Range (WDR), True Day/Night (HDXJ & HDXF Series)
- 18X Colour, 460 TVL, (HDXA Series)
- Indoor in-ceiling and pendant housings
- IP66 outdoor pendant and rugged housings
- Remote firmware updates
- Secure backup of all camera settings
- Active UTP video output standard in all domes
- 4 dry contact inputs
- Up to 150 user-defined presets
- 16 preset tours of 64 presets each
- 32 Dynamic Privacy Zones
- Password protection prevents unauthorised users from altering system settings
- Built-in surge and lightning protection
- Menus are provided for English, French, German, Dutch, Italian, Polish, and Spanish



In-ceiling



Indoor Pendant



Outdoor Pendant



Rugged

ACUIX™ PTZ Dome

SPECIFICATIONS

CAMERA	HDXA	HDXJ	HDXF	HDXG
Image Sensor	1/4" Ex-view HAD CCD	1/4" Ex-view HAD CCD	1/4" Ex-view HAD CCD	1/4" Ex-view HAD CCD
Lens	18X optical zoom, f=4.1mm (wide) to 73.8mm (tele), F1.4 to F3.0	18X optical zoom, f=4.1 mm (wide) to 73.8 mm (tele), F1.4 to F3.0	26X optical zoom, f=3.5 mm (wide) to 91.0 mm (tele), F1.6 to F3.8	35X optical zoom, f=3.4 (wide) to 119mm (tele), F1.4 to F4.2
Horizontal Resolution	>460 TVL (PAL)	>520 TVL (PAL)	>520 TVL (PAL)	>530 TVL (PAL)
Moveable IR filter	No	Yes	Yes	Yes
Wide Dynamic Range	No	Yes, 128X	Yes, 128X	Yes, 128X
Digital Zoom	12X (216X total zoom)	12X (216X total zoom)	12X (312X total zoom)	12X (420X total zoom)
Angle of View (H)	48° (wide end) to 2.8° (tele end)	48° (wide end) to 2.8° (tele end)	54.2°(wide end) to 2.2° (tele end)	55.8°(wide end) to 1.7° (tele end)
Sync System	Internal/AC line lock	Internal/AC line lock	Internal/AC line lock	Internal/AC line lock
Minimum Illumination	See 'Minimum Illumination' chart below			
S/N Ratio	> 50 dB	> 50 dB	> 50 dB	> 50 dB
Electronic Shutter	1/1 to 1/10,000 sec	1/1 to 1/10,000 sec	1/1 to 1/10,000 sec	1/2 to 1/30,000 sec
White Balance	Auto, ATW, Indoor, Outdoor, Manual	Auto, ATW, Indoor, Outdoor, Manual	Auto, ATW, Indoor, Outdoor, Manual	Auto, Indoor, Outdoor, Manual
Gain	Auto/Manual	Auto/Manual	Auto/Manual	Auto/Manual
Backlight Compensation	On/Off/Auto	On/Off/Auto	On/Off/Auto	On/Off/Auto
Focusing System	Auto/Manual	Auto/Manual	Auto/Manual	Auto/Manual
Electronic Image Stabilisation (EIS)	No	No	No	Yes, up to 12 dB suppression

Minimum Illumination					
Image and Shutter Speed	Video Signal Level	HDXA 18X Colour	HDXJ 18X WDR&TDN	HDXF 26X WDR&TDN	HDXG 35X WDR&TDN
Colour Image	50 IRE	0.7 lux	0.7 lux	1.00 lux	0.5 lux
Shutter Speed = 1/60 sec	30 IRE	0.35 lux	0.35 lux	0.5 lux	0.25 lux
Colour Image	50 IRE	0.1 lux	0.07 lux	0.09 lux	0.05 lux
Shutter Speed = 1/4 sec	30 IRE	0.05 lux	0.035 lux	0.05 lux	0.03 lux
Colour Image	50 IRE	0.05 lux	0.035 lux	0.045 lux	0.025 lux
Shutter Speed = 1/2 sec	30 IRE	0.025 lux	0.018 lux	0.023 lux	0.015 lux
Black & White Image	50 IRE	n/a	0.15 lux	0.15 lux	0.15 lux
Shutter Speed = 1/60 sec	30 IRE	n/a	0.08 lux	0.08 lux	0.075 lux
Black & White Image	50 IRE	n/a	0.01 lux	0.01 lux	0.01 lux
Shutter Speed = 1/4 sec	30 IRE	n/a	0.005 lux	0.005 lux	0.005 lux
Black & White Image	50 IRE	n/a	0.005 lux	0.005 lux	0.005 lux
Shutter Speed = 1/2 sec	30 IRE	n/a	0.0025 lux	0.0025 lux	0.0025 lux

ACUIX™ PTZ Dome

SPECIFICATIONS

Operational	
Angular Travel	Horizontal: 360° continuous Tilt: 5° above horizontal to 90° down
Speed (Manual Mode)	Pan: variable from 0.10° to 480°/sec. Tilt: variable from 0.10° to 240°/sec.
Speed to Preset	<0.5 sec.
Preset Accuracy	± 0.09°
Presets Per Dome	150 with IntelliBus and Diamond protocols, 132 with MAXPRO Mode, 99 with VCL protocol
Preset Tours	16 tours with up to 64 presets per tour
Still Shot™ Feature	Freeze-frame of video between presets during tour
Mimic Tours	16 2-minute mimic tours
Sector Identification	16 independent sectors or zones
Dynamic Privacy Zones	32 Dynamic Privacy Zones
Installation in Housing	Simple electrical quick disconnect and mechanical slide mount
Default Function	Activates preset tours and mimic tours after programmable period of inactivity.
Flashback	Recalls the last preset position observed whether in manual, preset tour or mimic tour. Presets can be toggled between last two
Digital Zoom Label	Provides on-screen identification of digital zoom setting (i.e., 2X, 4X, 12X). User selectable.
24 VAC Line-Lock	Unit is 24 VAC line locked with 0 - 359 phase adjust
Alarm Processing	4 on-board inputs for dry contacts
Protocols Supported	IntelliBus, Diamond, Maxpro mode, VCL, VCL up-the-Coax and Pelco "P" & "D"
Receiver/Driver	Digital Communication: RS485 Addressing: 4 numeric rotary switches Protocol: 8 position DIP switch Battery-backed memory
UTP Output	Active UTP output with video frequency and gain adjustments in OSD

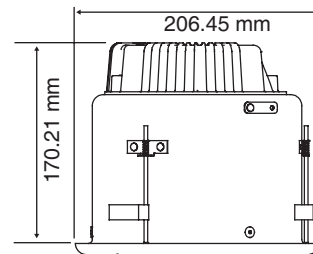
In-ceiling and Indoor Pendant	
Environmental	
Temperature	Operating: -10°C to 55°C Storage: -40°C to +60°C
Relative Humidity	0 to 95%, non-condensing
Regulatory	
Emissions	FCC: Part 15, Class B CE: EN55022, Class B
Immunity	EN50130-4
Safety	UL60065 / EN60065
Outdoor Pendant and Rugged	
Environmental	
Temperature	Absolute Max: 60°C Operating: -40°C to 50°C Storage: -40°C to 60°C
Relative Humidity	0 to 95%, non-condensing
Protection Classification	IP66 NEMA4X
Regulatory	
Emissions	FCC: Part 15, Class B CE: EN55022, Class B
Immunity	EN50130-4
Safety	UL60065 / EN60065

ACUIX™ PTZ Dome

SPECIFICATIONS

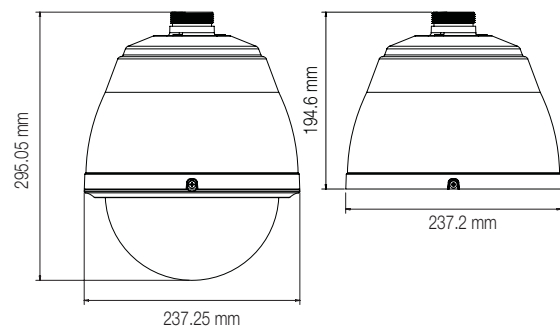
In-ceiling

Electrical	
Input Voltage	24 VAC @ 50/60 Hz, Class 2 LPS
Input Tolerance	21 to 27 VAC
Power Consumption	41 W Peak
	29 W Idle
Mechanical	
Dimensions	170.21 mm H x 206.45 mm Dia
Weight	2.72 kg
Construction	Housing: Aluminium Lower Dome: Optical Grade Acrylic
Mounting Method	7-5/8" (193.8 mm) diameter mounting hole with 3 wing tabs



Indoor Pendant

Electrical	
Input Voltage	24 VAC @ 50/60 Hz, Class 2 LPS
Input Tolerance	21 to 27 VAC
Power Consumption	41 W Peak
	29 W Idle
Mechanical	
Dimensions	Housing: 194.6 mm H x 237.2 mm Dia Lower Dome: 191 mm Dia
Weight	2.72kg
Construction	Housing: Aluminium Lower Dome: Optical Grade Acrylic Finish: Available in warm grey or black matt
Mounting Method	1.5" NPT

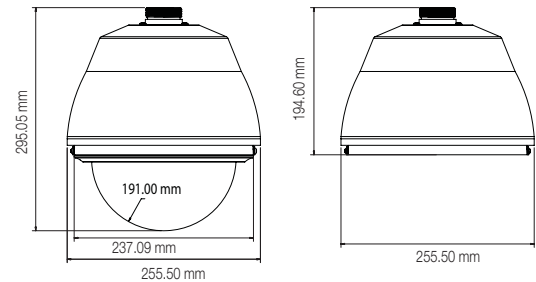


ACUIX™ PTZ Dome

SPECIFICATIONS

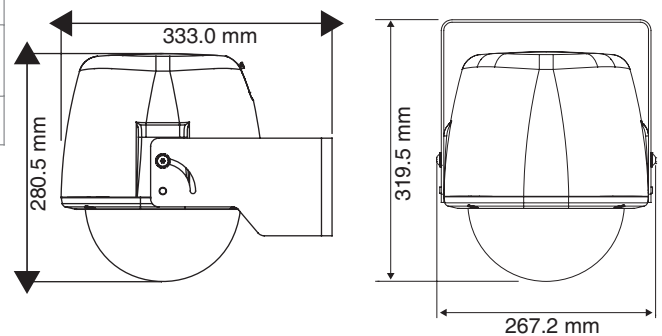
Outdoor Pendant

Electrical	
Input Voltage	24 VAC @ 50/60 Hz, Class 2 LPS
Input Tolerance	21 to 27 VAC
Power Consumption	55 W Peak
	41 W Idle
Mechanical	
Dimensions	Housing: 194.6 mm H x 255.5 mm Dia Lower Dome: 191 mm Dia
Weight	3.04 kg
Construction	Housing: Aluminium Lower Dome: Optical Grade Acrylic Finish: Warm grey
Mounting Method	1.5"NPT



Rugged

Electrical	
Input Voltage	24 VAC @ 50/60 Hz, Class 2 LPS
Input Tolerance	21 to 27 VAC
Power Consumption	55 W Peak
	41 W Idle
Mechanical	
Dimensions	Housing: see line drawing Lower Dome: 191 mm Dia
Weight	6.69 kg
Construction	Housing: Die-cast aluminium Lower Dome: Optical Grade Acrylic
Mounting Method	Integral bracket providing 90° tilt



ACUIX™ PTZ Dome

ACCESSORIES AND ORDERING

Accessories:	
Mounts	
HDVWM1	Indoor Only Wall Mount
HDXWM2	ACUIX Indoor and Outdoor Wall Mount
HDXSM1	Half Swan Neck Pole Mount
HDPRM2	Parapet and Flat Roof Mount
HDCM1	Ceiling mount for Indoor Pendant
HDXPMA1	ACUIX Pole Mount Adapter for HDXWM2 and rugged housing
HDXCMA1	ACUIX Corner Mount Adapter for HDXWM2 and rugged housing

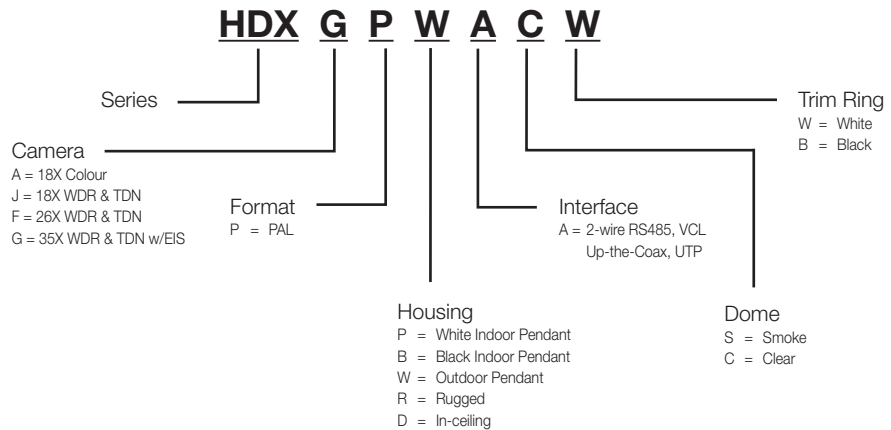
System Compatibility

The ACUIX high speed dome system is supported by a comprehensive line of video management systems and accessories. Honeywell's digital video recorders (Fusion, Rapid Eye, HRXD), network video recorders (Enterprise and DVM), and matrix switchers (VideoBloX and MAXPRO-Net) all provide complete compatibility with the ACUIX high speed dome. In addition, Honeywell's protocol interface translators allow ACUIX to be installed in most competitors' systems.

Ordering

HOW TO ORDER

Example:
HDXGPWACW =
35X WDR & TDN
w/EIS/PAL/Outdoor
Pendant/Analogue/
Clear/White



NOTE: Honeywell reserves the right, without notification, to make changes in product design or specifications.

For additional information,

please visit www.honeywell.com/security/uk

Honeywell Security Group

Honeywell Systems Group
 Aston Fields Road
 Whitehouse Industrial Estate
 Runcorn
 Cheshire
 WA7 3DL
 Tel: 08448 000 235
www.honeywell.com