

## ACUIX™ PTZ Dome

### HIGH SPEED DOME SYSTEM

The ACUIX™ PTZ dome features five housing configurations and four integrated high-resolution, auto-focus cameras for virtually any application. The colour camera is available with an 18X zoom lens and 460 TVL PAL of resolution. The Wide Dynamic Range (WDR) and True Day/Night (TDN) models feature 18X, 26X and 35X zoom lenses and up to 530 TVL PAL of resolution. The 35X model also includes Electronic Image Stabilisation (EIS) for improved image quality in unstable mounting situations.

The ACUIX PTZ dome uses Honeywell proprietary technology that allows users to remotely upload firmware to all domes and permits secure storage of all camera settings such as labels, presets, tours, and privacy zones.

The ACUIX PTZ dome comes with many software features that increase performance and make installation and operation easy. Dynamic Privacy Zones allow a user to mask up to 32 regions to ensure absolute privacy for sensitive areas. Password protection prevents unauthorised users from changing the system settings. Other features include Flashback for quick review of two scenes and StillShot to save storage space during tours. Multi-language menus are provided for English, French, German, Dutch, Italian, Polish, and Spanish.

### Market Opportunities

The combination of the latest in digital technology, advanced video processing, and aesthetically pleasing design makes the ACUIX ideally suited for retailers, airports, government installations, schools and campuses, industrial environments, and anywhere detailed surveillance is essential. Highly reliable, the ACUIX offers world-class performance and seamless system integration.

### Features

- 35X, 530 TVL, 128X Wide Dynamic Range (WDR), True Day/Night Motion Detection, and Electronic Stabilisation (HDXG series)
- 18X & 26X, 530 TVL, 128X Wide Dynamic Range (WDR), True Day/Night (HDXJ & HDXF Series)
- 18X Colour, 460 TVL, (HDXA Series)
- Indoor in-ceiling and pendant housings
- IP66 outdoor pendant and rugged housings
- Remote firmware updates
- Secure backup of all camera settings
- Active UTP video output standard in all domes
- 4 dry contact inputs
- Up to 150 user-defined presets
- 16 preset tours of 64 presets each
- 32 Dynamic Privacy Zones
- Password protection prevents unauthorised users from altering system settings
- Built-in surge and lightning protection
- Menus are provided for English, French, German, Dutch, Italian, Polish, and Spanish



In-ceiling



Indoor Pendant



Outdoor Pendant



Rugged

## ACUIX™ PTZ Dome

### SPECIFICATIONS

CAMERA	HDXA	HDXJ	HDXF	HDXG
<b>Image Sensor</b>	1/4" Ex-view HAD CCD	1/4" Ex-view HAD CCD	1/4" Ex-view HAD CCD	1/4" Ex-view HAD CCD
<b>Lens</b>	18X optical zoom, f=4.1mm (wide) to 73.8mm (tele), F1.4 to F3.0	18X optical zoom, f=4.1 mm (wide) to 73.8 mm (tele), F1.4 to F3.0	26X optical zoom, f=3.5 mm (wide) to 91.0 mm (tele), F1.6 to F3.8	35X optical zoom, f=3.4 (wide) to 119mm (tele), F1.4 to F4.2
<b>Horizontal Resolution</b>	>460 TVL (PAL)	>520 TVL (PAL)	>520 TVL (PAL)	>530 TVL (PAL)
<b>Moveable IR filter</b>	No	Yes	Yes	Yes
<b>Wide Dynamic Range</b>	No	Yes, 128X	Yes, 128X	Yes, 128X
<b>Digital Zoom</b>	12X (216X total zoom)	12X (216X total zoom)	12X (312X total zoom)	12X (420X total zoom)
<b>Angle of View (H)</b>	48° (wide end) to 2.8° (tele end)	48° (wide end) to 2.8° (tele end)	54.2°(wide end) to 2.2° (tele end)	55.8°(wide end) to 1.7° (tele end)
<b>Sync System</b>	Internal/AC line lock	Internal/AC line lock	Internal/AC line lock	Internal/AC line lock
<b>Minimum Illumination</b>	0.7 lux	0.7 lux, 0.01 lux (IR filter removed)	1.0 lux, 0.09 lux (IR filter removed)	0.5 lux, 0.05 lux (IR filter removed)
<b>S/N Ratio</b>	> 50 dB	> 50 dB	> 50 dB	> 50 dB
<b>Electronic Shutter</b>	1/1 to 1/10,000 sec	1/1 to 1/10,000 sec	1/1 to 1/10,000 sec	1/2 to 1/30,000 sec
<b>White Balance</b>	Auto, ATW, Indoor, Outdoor, Manual	Auto, ATW, Indoor, Outdoor, Manual	Auto, ATW, Indoor, Outdoor, Manual	Auto, Indoor, Outdoor, Manual
<b>Gain</b>	Auto/Manual	Auto/Manual	Auto/Manual	Auto/Manual
<b>Backlight Compensation</b>	On/Off/Auto	On/Off/Auto	On/Off/Auto	On/Off/Auto
<b>Focusing System</b>	Auto/Manual	Auto/Manual	Auto/Manual	Auto/Manual
<b>Electronic Image Stabilisation (EIS)</b>	No	No	No	Yes, up to 12 dB suppression

## ACUIX™ PTZ Dome

### SPECIFICATIONS

Operational	
Angular Travel	Horizontal: 360° continuous Tilt: 5° above horizontal to 90° down
Speed (Manual Mode)	Pan: variable from 0.10° to 480°/sec. Tilt: variable from 0.10° to 240°/sec.
Speed to Preset	<0.5 sec.
Preset Accuracy	± 0.09°
Presets Per Dome	150 with IntelliBus and Diamond protocols, 132 with MAXPRO Mode, 99 with VCL protocol
Preset Tours	16 tours with up to 64 presets per tour
Still Shot™ Feature	Freeze-frame of video between presets during tour
Mimic Tours	16 2-minute mimic tours
Sector Identification	16 independent sectors or zones
Dynamic Privacy Zones	32 Dynamic Privacy Zones
Installation in Housing	Simple electrical quick disconnect and mechanical slide mount
Default Function	Activates preset tours and mimic tours after programmable period of inactivity.
Flashback	Recalls the last preset position observed whether in manual, preset tour or mimic tour. Presets can be toggled between last two
Digital Zoom Label	Provides on-screen identification of digital zoom setting (i.e., 2X, 4X, 12X). User selectable.
24 VAC Line-Lock	Unit is 24 VAC line locked with 180° phase adjust
Alarm Processing	4 on-board inputs for dry contacts
Protocols Supported	IntelliBus, Diamond, Maxpro mode, VCL, VCL up-the-Coax and Pelco "P" & "D"
Receiver/Driver	Digital Communication: RS485 Addressing: 4 numeric rotary switches Protocol: 8 position DIP switch Battery-backed memory
UTP Output	Active UTP output with video frequency and gain adjustments in OSD

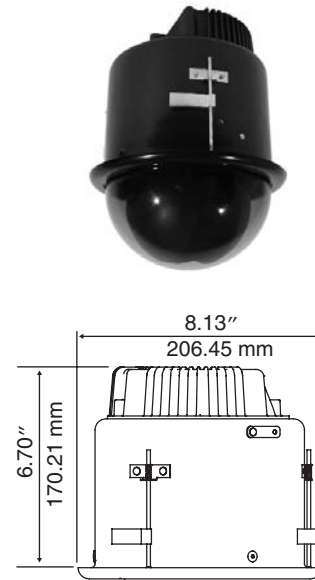
In-ceiling and Indoor Pendant	
Environmental	
Temperature	Operating: 32°F to 122°F (0°C to 50°) Storage: -40°F to 140°F (-40°C to +60°C)
Relative Humidity	0 to 95%, non-condensing
Regulatory	
Emissions	FCC: Part 15, Class B CE: EN55022, Class B
Immunity	EN Series 61000-2-2, 61000-4-2, 61000-4-3, 61000-4-4, 61000-4-5, 61000-4-6, 61000-4-11
Safety	UL 60065 EN60950
Outdoor Pendant and Rugged	
Environmental	
Temperature	Absolute Max: +140°F (60°C) Operating: -40°F to 122°F (-40°C to 50°C) Storage: -40°F to 140°F (-40°C to 60°C)
Relative Humidity	0 to 95%, non-condensing
Protection Classification	IP66 NEMA4X
Regulatory	
Emissions	FCC: Part 15, Class B CE: EN55022, Class B
Immunity	EN Series 61000-2-2, 61000-4-2, 61000-4-3, 61000-4-4, 61000-4-5, 61000-4-6, 61000-4-11
Safety	UL 60065 EN60950

## ACUIX™ PTZ Dome

### SPECIFICATIONS

#### In-ceiling

Electrical	
Input Voltage	24 VAC @ 50/60 Hz, Class 2 LPS
Input Tolerance	21 to 27 VAC
Power Consumption	41 W Peak
	29 W Idle
Mechanical	
Dimensions	6.7" H x 8.13" Dia (170.21 mm H x 206.45 mm Dia)
Weight	6.0 lbs (2.72 kg)
Construction	Housing: Aluminium Lower Dome: Optical Grade Acrylic
Mounting Method	7-5/8" (193.8 mm) diameter mounting hole with 3 wing tabs



#### Indoor Pendant

Electrical	
Input Voltage	24 VAC @ 50/60 Hz, Class 2 LPS
Input Tolerance	21 to 27 VAC
Power Consumption	41 W Peak
	29 W Idle
Mechanical	
Dimensions	Housing: 7.75" H x 9.25" Dia (196.8 mm H x 235 mm Dia) Lower Dome: 7.50" Dia (191 mm Dia)
Weight	6.0 lbs (2.72 kg)
Construction	Housing: Aluminium Lower Dome: Optical Grade Acrylic Finish: Available in cool grey or black matt
Mounting Method	1.5" NPT

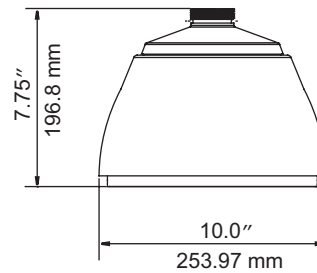


## ACUIX™ PTZ Dome

### SPECIFICATIONS

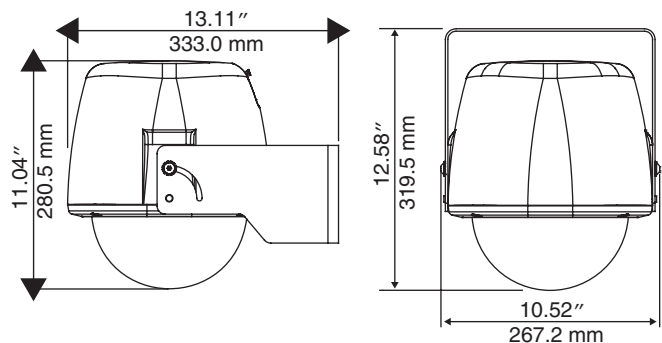
#### Outdoor Pendant

Electrical	
Input Voltage	24 VAC @ 50/60 Hz, Class 2 LPS
Input Tolerance	21 to 27 VAC
Power Consumption	55 W Peak
	41 W Idle
Mechanical	
Dimensions	Housing: 7.75" H x 10.0" Dia (196.8 mm H x 254 mm Dia)
	Lower Dome: 7.5" Dia (191 mm Dia)
Weight	6.7 lbs (3.04 kg)
Construction	Housing: Aluminium Lower Dome: Optical Grade Acrylic Finish: Cool grey
Mounting Method	1.5"NPT



#### Rugged

Electrical	
Input Voltage	24 VAC @ 50/60 Hz, Class 2 LPS
Input Tolerance	21 to 27 VAC
Power Consumption	55 W Peak
	41 W Idle
Mechanical	
Dimensions	Housing: see line drawing Lower Dome: 7.5" Dia (191 mm Dia)
Weight	14.75 lbs (6.69 kg)
Construction	Housing: Die-cast aluminium Lower Dome: Optical Grade Acrylic
Mounting Method	Integral bracket providing 90° tilt



# ACUIX™ PTZ Dome

## ACCESSORIES AND ORDERING

Accessories:	
Mounts	
HDXWM1	ACUIX Indoor and Outdoor Wall Mount
HDPRM2	Parapet and Flat Roof Mount
HDCM1	Ceiling mount for Indoor Pendant
HDXPMA1	ACUIX Pole Mount Adapter for HDXWM1 and rugged housing <sup>3</sup>
HDXCMA1	ACUIX Corner Mount Adapter for HDXWM1 and rugged housing
HDXWM1B	ACUIX Indoor and Outdoor Wall Mount, Black Matt finish

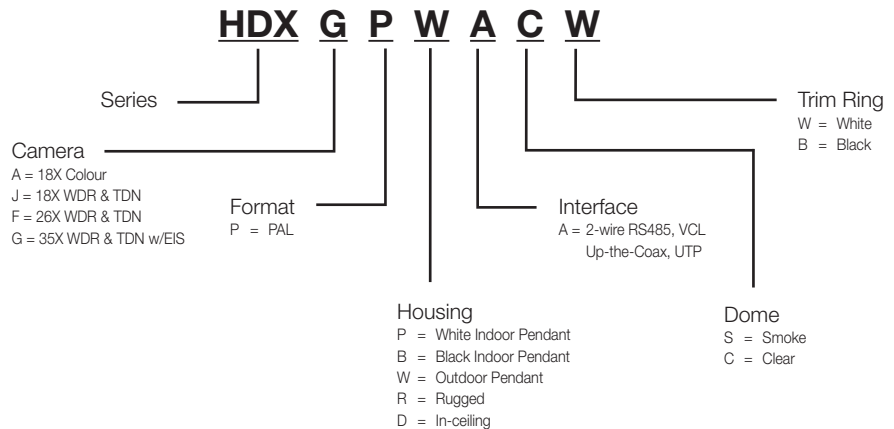
### System Compatibility

The ACUIX high speed dome system is supported by a comprehensive line of video management systems and accessories. Honeywell's digital video recorders (Fusion, Rapid Eye, HRXD), network video recorders (Enterprise and DVM), and matrix switchers (VideoBloX and MAXPRO-Net) all provide complete compatibility with the ACUIX high speed dome. In addition, Honeywell's protocol interface translators allow ACUIX to be installed in most competitors' systems.

### Ordering

#### HOW TO ORDER

Example:  
**HDXGPWACW =**  
**35X WDR & TDN**  
**w/EIS/PAL/Outdoor**  
**Pendant/Analogue/**  
**Clear/White**



**NOTE:** Honeywell reserves the right, without notification, to make changes in product design or specifications.

### Honeywell Security

Aston Fields Road  
 Whitehouse Industrial Estate  
 Runcorn  
 Cheshire  
 WA7 3DL

Tel: 08448 000 235

Fax: 01928 701 063

[www.honeywell.com/security/uk](http://www.honeywell.com/security/uk)

HVS-ACUIXA-EN-01(0408)DS-COE  
 April 2008  
 © 2008 Honeywell International, Inc.

# Honeywell