

## ACUIX™ IP PTZ Dome

### EQUIP® SERIES DIGITAL HIGH SPEED NETWORK DOME SYSTEM

Honeywell's EQUIP® Series is an array of IP-based products that have an open architecture platform and utilise a single Application Program Interface (API). The API allows for a common user experience and integration with hybrid Digital Video Recorders (DVRs) and Network Video Recorders (NVRs).

Honeywell's new ACUIX™ IP PTZ dome offers the latest in digital video surveillance. ACUIX IP is the combination of world-class video and leading-edge IP networking technologies to provide dual streaming of MJPEG and MPEG-4 images in 4CIF, 2CIF, and CIF resolutions with rates up to 25 fps for PAL systems.

The ACUIX IP PTZ dome offers multiple housings and high-resolution, auto-focus cameras for virtually any application. The colour camera is available with an 18X zoom lens with 460 TVL PAL of resolution. The Wide Dynamic Range (WDR) and True Day/Night (TDN) models feature 18X, 26X and 35X zoom lenses with up to 530 TVL PAL of resolution. The 35X model also includes electronic stabilisation for improved image quality in unstable mounting situations.

The ACUIX IP PTZ dome uses Honeywell technology for camera sabotage detection, remote firmware updating and secure storage of all camera settings. Camera sabotage detection notifies the user when a camera has been blinded or vandalised, ensuring the integrity of the video and alerting the user to a live event or system problem disrupting the video stream. Honeywell's technology also allows users to remotely upload firmware to all domes and permits secure storage of all camera settings such as labels, presets, tours and privacy zones.

### Market Opportunities

The combination of the latest in digital technology, advanced video processing and aesthetically pleasing design makes the ACUIX IP ideally suited for large retailers, airports, government installations, schools and campuses, industrial environments, and anywhere detailed surveillance is essential.

### Features

- MPEG-4 compression
- 4CIF, 2CIF, and CIF resolutions
- Up to 25 frames per second
- Simultaneous MJPEG and MPEG-4 streams
- Camera Sabotage Detection
- Remote firmware updates
- Secure backup of all camera settings
- 4 dry contact inputs
- Up to 150 user-defined presets
- 16 preset tours of 64 presets each
- 32 Dynamic Privacy Zones
- Password protection prevents unauthorised users from altering system settings
- Built-in surge and lightning protection
- Menus are provided for English, French, German, Dutch, Italian, Polish, and Spanish



In-ceiling



Indoor Pendant



Outdoor Pendant



Rugged

## ACUIX™ IP PTZ Dome

### SPECIFICATIONS

IP Specifications	
Video Compression	MPEG-4 Part 2 (ISO/IEC 14496-2) , SP level 0-3
Resolutions	PAL
	4CIF 704x576
	2CIF 704x288
	CIF 352x288
Frame Rate PAL	Up to 25 fps video in all resolutions
Video Streaming	Simultaneous Motion JPEG (M-JPEG) and MPEG-4 controllable frame rate and bandwidth. Constant and variable bit rate (MPEG-4).
Security	Multiple user access levels with password protection
Users	5 simultaneous unicast
Video Access from Web Browser	Camera live view for up to 5 clients. Full control of all camera settings available to administrator.
Minimum Web Browsing Requirements	Pentium IV CPU 2.4 GHz or equivalent AMD, 512 MB RAM, AGP graphics card 32 MB RAM Windows XP® 2000, Internet Explorer 6.0 or later
Installation and Management Maintenance	Honeywell IP Utility software identifies the IP address, checks status of device
Supported Protocols	IPv4, HTTP, TCP, RTSP, RTP, UDP, IGMP, RTCP, FTP, ICMP DHCP, Bonjour, ARP, DNS

CAMERA	HDXA	HDXJ	HDXF	HDXG
<b>Image Sensor</b>	1/4" Ex-view HAD CCD	1/4" Ex-view HAD CCD	1/4" Ex-view HAD CCD	1/4" Ex-view HAD CCD
<b>Lens</b>	18X optical zoom, f=4.1mm (wide) to 73.8mm (tele), F1.4 to F3.0	18X optical zoom, f=4.1 mm (wide) to 73.8 mm (tele), F1.4 to F3.0	26X optical zoom, f=3.5 mm (wide) to 91.0 mm (tele), F1.6 to F3.8	35X optical zoom, f=3.4 (wide) to 119mm (tele), F1.4 to F4.2
<b>Horizontal Resolution</b>	>460 TVL (PAL)	>520 TVL (PAL)	>520 TVL (PAL)	>530 TVL (PAL)
<b>Moveable IR filter</b>	No	Yes	Yes	Yes
<b>Wide Dynamic Range</b>	No	Yes, 128X	Yes, 128X	Yes, 128X
<b>Digital Zoom</b>	12X (216X total zoom)	12X (216X total zoom)	12X (312X total zoom)	12X (420X total zoom)
<b>Angle of View (H)</b>	48° (wide end) to 2.8° (tele end)	48° (wide end) to 2.8° (tele end)	54.2° (wide end) to 2.2° (tele end)	55.8° (wide end) to 1.7° (tele end)
<b>Sync System</b>	Internal/AC line lock	Internal/AC line lock	Internal/AC line lock	Internal/AC line lock
<b>Minimum Illumination</b>	0.7 lux	0.7 lux, 0.01 lux (IR filter removed)	1.0 lux, 0.09 lux (IR filter removed)	0.5 lux, 0.05 lux (IR filter removed)
<b>S/N Ratio</b>	> 50 dB	> 50 dB	> 50 dB	> 50 dB
<b>Electronic Shutter</b>	1/1 to 1/10,000 sec	1/1 to 1/10,000 sec	1/1 to 1/10,000 sec	1/2 to 1/30,000 sec
<b>White Balance</b>	Auto, ATW, Indoor, Outdoor, Manual	Auto, ATW, Indoor, Outdoor, Manual	Auto, ATW, Indoor, Outdoor, Manual	Auto, Indoor, Outdoor, Manual
<b>Gain</b>	Auto/Manual	Auto/Manual	Auto/Manual	Auto/Manual
<b>Backlight Compensation</b>	On/Off/Auto	On/Off/Auto	On/Off/Auto	On/Off/Auto
<b>Focusing System</b>	Auto/Manual	Auto/Manual	Auto/Manual	Auto/Manual
<b>Electronic Image Stabilisation (EIS)</b>	No	No	No	Yes, up to 12 dB suppression

## ACUIX™ IP PTZ Dome

### SPECIFICATIONS

Operational	
Angular Travel	Horizontal: 360° continuous Tilt: 5° above horizontal to 90° down
Speed (Manual Mode)	Pan: variable from 0.10° to 480°/sec. Tilt: variable from 0.10° to 240°/sec.
Speed to Preset	<0.5 sec.
Preset Accuracy	± 0.09°
Presets Per Dome	150
Preset Tours	16 tours with up to 64 presets per tour
Still Shot™ Feature	Freeze-frame of video between presets during tour
Mimic Tours	16 2-minute mimic tours
Sector Identification	16 independent sectors or zones
Dynamic Privacy Zones	32 Dynamic Privacy Zones
Installation in Housing	Simple electrical quick disconnect and mechanical slide mount
Default Function	Activates preset tours and mimic tours after programmable period of inactivity
Flashback	Recalls the last preset position observed whether in manual, preset tour or mimic tour Presets can be toggled between last two
Digital Zoom Label	Provides on-screen identification of digital zoom setting (i.e., 2X, 4X, 12X) User selectable
24 VAC Line-Lock	Unit is 24 VAC line locked with 0 - 359 phase adjust

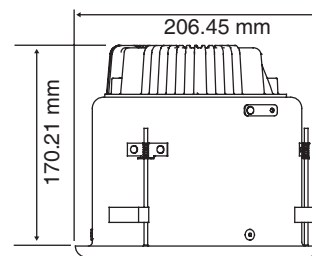
In-ceiling and Indoor Pendant	
Environmental	
Temperature	Operating: -10°C to 55°C Storage: -40°C to 60°C
Relative Humidity	0 to 95%, non-condensing
Regulatory	
Emissions	FCC: Part 15, Class B CE: EN55022, Class B
Immunity	EN 50130-4
Safety	UL60065 / EN60065
Outdoor Pendant and Rugged	
Environmental	
Temperature	Operating: -40°C to 50°C Storage: -40°C to 60°C
Relative Humidity	0 to 95%, non-condensing
Protection Classification	IP66 NEMA4X
Regulatory	
Emissions	FCC: Part 15, Class B CE: EN55022, Class B
Immunity	EN50130-4
Safety	UL60065 / EN60065

## ACUIX™ IP PTZ Dome

### SPECIFICATIONS

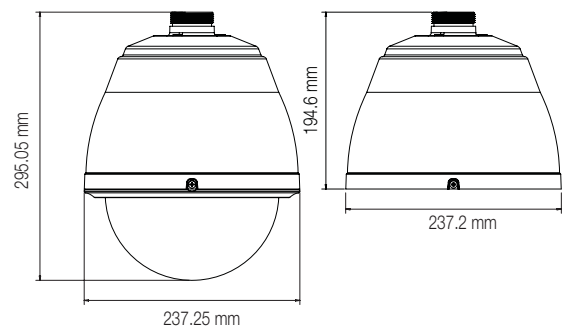
#### In-ceiling

Electrical	
Input Voltage	24 VAC @ 50/60 Hz, Class 2 LPS
Input Tolerance	21 to 27 VAC
Power Consumption	41 W Peak
	29 W Idle
Mechanical	
Dimensions	170.21 mm H x 206.45 mm Dia
Weight	2.72 kg
Construction	Housing: Aluminium Lower Dome: Optical Grade Acrylic
Mounting Method	7-5/8" (193.8 mm) diameter mounting hole with 3 wing tabs



#### Indoor Pendant

Electrical	
Input Voltage	24 VAC @ 50/60 Hz, Class 2 LPS
Input Tolerance	21 to 27 VAC
Power Consumption	41 W Peak
	29 W Idle
Mechanical	
Dimensions	Housing: 194.6 mm H x 237.2 mm Dia Lower Dome: 191 mm Dia
Weight	2.72 kg
Construction	Housing: Aluminium Lower Dome: Optical Grade Acrylic Finish: Available in warm grey or black matt
Mounting Method	1.5" NPT

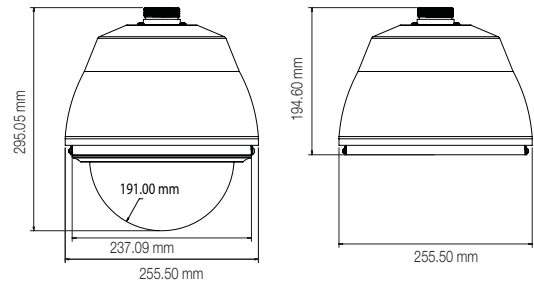


## ACUIX™ IP PTZ Dome

### SPECIFICATIONS

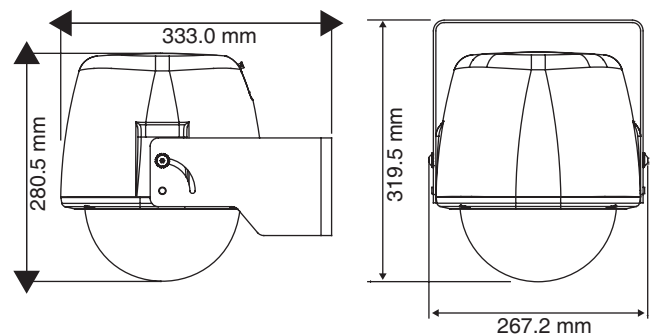
#### Outdoor Pendant

Electrical	
Input Voltage	24 VAC @ 50/60 Hz, Class 2 LPS
Input Tolerance	21 to 27 VAC
Power Consumption	55 W Peak
	41 W Idle
Mechanical	
Dimensions	Housing: 194.6 mm H x 255.5 mm Dia Lower Dome: 191 mm Dia
Weight	3.04 kg
Construction	Housing: Aluminium Lower Dome: Optical Grade Acrylic Finish: Warm grey
Mounting Method	1.5" NPT



#### Rugged

Electrical	
Input Voltage	24 VAC @ 50/60 Hz, Class 2 LPS
Input Tolerance	21 to 27 VAC
Power Consumption	55 W Peak
	41 W Idle
Mechanical	
Dimensions	Housing: see line drawing Lower Dome: 191 mm Dia
Weight	6.69 kg
Construction	Housing: Die-cast aluminium Lower Dome: Optical Grade Acrylic
Mounting Method	Integral bracket providing 90° tilt



# ACUIX™ IP PTZ Dome

## ACCESSORIES AND ORDERING

Accessories:	
Mounts	
HDVWM1	Indoor Only Wall Mount
HDXWM2	ACUIX Indoor and Outdoor Wall Mount
HDXSM1	Half Swan Neck Pole Mount
HDPRM2	Parapet and Flat Roof Mount
HDCM1	Ceiling mount for Indoor Pendant
HDXPMA1	ACUIX Pole Mount Adapter for HDXWM2 and rugged housing
HDXCMA1	ACUIX Corner Mount Adapter for HDXWM2 and rugged housing

System Compatibility	
Hybrid DVRs	
Fusion	Full Featured Hybrid Digital Video Recorder, version 3.6 or higher
NVRs	
Enterprise NVR Series	Enterprise Class Digital Network Video Recorder System, version 5.6 or higher
DVM	Digital Video Manager, version R200.2 or higher

### Ordering

#### HOW TO ORDER

Example:  
**HDXGPWDCW =**  
**35X WDR & TDN**  
**w/EIS/PAL/Outdoor**  
**Pendant/Digital/**  
**Clear/White**

**HDX G P W D C W**

Series

Camera

A = 18X Colour  
 J = 18X WDR & TDN  
 F = 26X WDR & TDN  
 G = 35X WDR & TDN w/EIS

Format

P = PAL

Interface

D = TCP/IP Communication

Housing

P = White Indoor Pendant  
 B = Black Indoor Pendant  
 W = Outdoor Pendant  
 R = Rugged  
 D = In-ceiling

Dome

S = Smoke  
 C = Clear

Trim Ring

W = White  
 B = Black

**NOTE:** Honeywell reserves the right, without notification, to make changes in product design or specifications.

**For additional information,**  
 please visit [www.honeywell.com/security/uk](http://www.honeywell.com/security/uk)

### Honeywell Security Group

Honeywell Systems Group  
 Aston Fields Road  
 Whitehouse Industrial Estate  
 Runcorn  
 Cheshire  
 WA7 3DL  
 Tel: 08448 000 235  
[www.honeywell.com](http://www.honeywell.com)

HVS-ACUIXIP-EN-03(0110)DS-GCSC  
 January 2010  
 © 2010 Honeywell International Inc.

# Honeywell