

## ACUIX™ ES Dome

### 18X HIGH SPEED PTZ AND SUPER HIGH RESOLUTION COLOUR FIXED DOME INDOOR CAMERAS

The ACUIX™ ES dome range combines industry-leading features with a low-profile design, making them the ideal choice for all indoor video surveillance applications. The quick and easy installation characteristics make the ACUIX™ ES the undisputed first choice when a cost competitive, fully featured dome is required.

The **ACUIX™ ES indoor PTZ dome** features a 18X high-resolution, auto-focus colour camera and is available in in-ceiling, surface and pendant mount housing configurations. The surface mount version can be converted to a pendant mount using the appropriate top cap. Both caps are included.

Like the ACUIX™ PTZ dome, the ACUIX™ ES uses Honeywell proprietary technology that allows users to remotely upload firmware to all domes and permits secure storage of all camera settings such as labels, presets, tours, and privacy zones. The ACUIX™ ES PTZ dome comes with many software features that increase performance and make installation and operation easy. Privacy Zones allow a user to mask up to 24 regions to ensure sensitive areas remain obscured. Password protection prevents unauthorised users from changing system settings. UTP video and 8 dry contact inputs are available as options. OSD menus are provided in English, French, German, Dutch, Italian, Polish, and Spanish.

The **ACUIX ES indoor Fixed dome** incorporates a 1/3" CCD, offering 540 TV lines of crisp, clear horizontal resolution with a minimum illumination of 0.6 lux (clear dome). The ACUIX ES Fixed dome camera comes equipped with a 2.8-10 mm (F1.3) Vari-focal Auto Iris lens to cover a wide range of viewing angles. Picture adjustment after installation is easy with the 2-D axis gimbal that is capable of 360° of horizontal rotation and 90° of tilt. The ACUIX ES Fixed also features a 'cable management' housing design for installations requiring the video and power connectors to be contained within the housing base.

The ACUIX ES Fixed dome accepts either 12 VDC or 24 VAC (auto sensing) for proper operation and flexible installation. The Backlight Compensation (BLC) and Auto Tracking White Balance (ATW) ensure crisp colour images in dark or backlit environments such as windows and doorways. The Automatic Gain Control (AGC) feature increases the signal strength from the camera when scene lighting is low, keeping the picture sharp and viewable.

#### Market Opportunities

The combination of Honeywell technology, advanced video processing, and low-profile design makes the ACUIX™ ES ideally suited for retailers, banking and finance, healthcare, schools and campuses, and anywhere detailed surveillance is essential. Highly reliable, the ACUIX™ ES offers world-class performance and seamless system integration.

#### Features - 18X PTZ Version

- 18X Colour, 460 TVL
- Indoor in-ceiling and Surface/Pendant mount housings
- Remote firmware updates
- Secure back-up of all camera settings
- Up-the-Coax control
- UTP video output available
- 2 dry contact inputs standard and 8 available as an option
- 64 user-defined presets
- 3 preset tours of up to 24 presets each
- Up to 24 Privacy Zones
- Password protection prevents unauthorised users from altering system settings
- Built-in surge and lightning protection
- Menus are provided for English, French, German, Dutch, Italian, Polish, and Spanish

#### Features - Fixed Version

- 1/3" Sony Interline CCD
- Super high resolution colour: 540TVL
- Indoor in-ceiling and Surface/Pendant mount housings
- Easy to use 'cable management' housing design
- 2.8-10 mm (F1.3) aspherical Vari-focal Auto Iris lens
- Local video output for set-up
- 2-D axis gimbal
- Line Lock with phase adjustment (24 VAC)
- Dual 12 VDC/24 VAC voltage
  - Service/monitor cable is included



In-ceiling



Surface Mount



Pendant

## ACUIX™ ES Dome

### SPECIFICATIONS - INDOOR 18X PTZ VERSION

18X PTZ Version	
Camera	18X Colour
Image Sensor	1/4" SuperHAD CCD
Lens	18X optical zoom, f=4.1mm (wide) to 73.8mm (tele), F1.4 to F3.0
Horizontal Resolution	>460 TVL (PAL)
Moveable IR Filter	No
Digital Zoom	12X (216X total zoom)
Angle of View (H)	48° (wide end) to 2.8° (tele end)
Sync System	Internal / External Line Lock
Minimum Illumination	Colour: 1.0 lux F1.4 (50IRE)
S/N Ratio	>50 dB
Electronic Shutter	1/50 to 1/10,000 sec PAL
White Balance	Auto, Indoor, outdoor, One Push WB, Manual WB
Gain	Auto/Manual (-3 to 28 dB, 2 dB steps)
Backlight Compensation	On/Off
Focusing System	Auto/Manual
Operational	
Angular Travel	Horizontal: 360° continuous Tilt: -2° above horizontal to 90° down
Speed (Manual Mode)	Pan: variable from 0.0625° to 360°/sec Tilt: variable from 0.0625° to 360°/sec
Speed to Preset	<0.6 sec
Preset Accuracy	± 0.4°
Presets Per Dome	64
Preset Tours	3 tours with up to 24 presets per tour
Mimic Tours	Three 2-minute mimic tours
Sector Identification	16 independent sectors or zones
Privacy Zones	24
Default Function	Activates preset tours and mimic tours after programmable period of inactivity.
Flashback	Recalls the last preset position observed whether in manual, preset tour or mimic tour. Presets can be toggled between last two
Digital Zoom Label	Provides on-screen identification of digital zoom setting (i.e. 2X, 4X, 12X). User selectable.
24 VAC Line-Lock	Unit is 24 VAC line locked with 180° phase adjust
Alarm Processing	2 on-board inputs for dry contacts; 8 available on HDVA models; unlimited options available with IntelliBus
Protocols Supported	IntelliBus, Diamond, Maxpro mode, VCL, VCL up-the-Coax and Pelco "P" & "D"
Receiver/Driver	Digital Communication: RS485 Addressing: 8 position DIP switch Protocol: 8 position DIP switch Switch selectable termination

18X PTZ Version	
Environmental	
Temperature	Operating: 0° C to 40° C Storage: -40° C to +60° C
Relative Humidity	0 to 93%, non-condensing
Regulatory	
Emissions	FCC: Part 15, Class B CE: EN55022, Class B
Immunity	EN50130-4 CE: EN 61000-6-1 :2001
Safety	UL 60065 CE: EN60065
Electrical	
Input Voltage	24 VAC @ 50/60 Hz, 12VDC, Class 2 LPS
Input Tolerance	21 to 27 VAC and 10.5 To 16 VDC
Power Consumption	15 W Peak
Indoor In-ceiling Mount	
Mechanical	
Dimensions	Housing: 152mm H x 206.4mm Dia. Lower Dome: 146mm Dia.
Weight	2.27 kg
Construction	Housing: Aluminium Lower Dome: Optical Grade Acrylic
Mounting Method	193.8mm diameter mounting hole with 3 wing tabs
Surface and Pendant Mount	
Mechanical	
Dimensions	Surface Mount Housing: 128mm H x 194mm Dia. tapering to 152mm Dia. Pendant Housing: 167.64mm H x 194mm Dia. tapering to 152mm Dia. Lower Dome: 146mm Dia.
Weight	2.27 kg
Construction	Housing: Polycarbonate Finish: Bi-colour Warm Grey 2C/Pantone 427C Lower Dome: Optical Grade Acrylic
Mounting Method	Surface mount on flat surface Can be recess mounted to reduce profile by 1.1" (28mm) 1.5" NPT with included mount

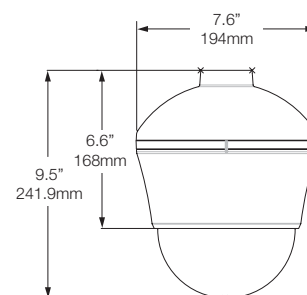
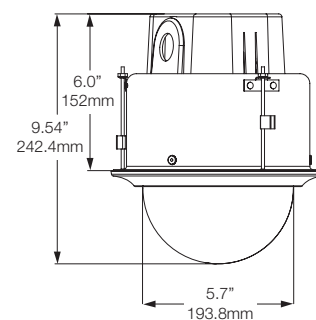
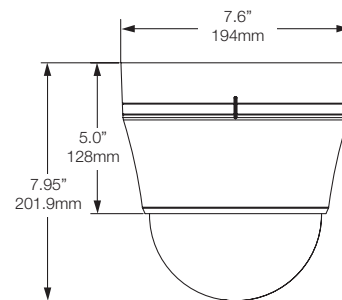
## ACUIX™ ES Dome

### SPECIFICATIONS - INDOOR FIXED VERSION

Fixed Version	
<b>Operational</b>	
Video Standard	PAL
Scanning System	625/50 lines
Image Sensor	1/3" Sony CCD colour image sensor
Number of Pixels (H x V)	752 x 582
Minimum Illumination	Clear dome - 0.6 lux @ F1.3 (AGC on, 50 IRE) Smoked dome - 2 lux @ F1.3 (AGC on, 50 IRE)
Horizontal Resolution	540 TVL
Video Output	1.0 Vp-p, composite @ 75 Ohms
Sync System	12 VDC: Internal, 24 VAC: Line Lock
S/N Ratio	50 dB (AGC Off)
Auto Gain Control	On/off, selectable
ALC	Auto Iris: DC drive
Automatic Electronic Shutter	1/50 – 1/100,000 second (PAL)
White Balance	ATW/AWC
Line Lock Phase Adjust	Adjustable (available only with 24 VAC)
BLC	On/off, switchable
Flickerless	On/off, switchable
Lens Type	2.8-10 mm, Vari-focal Auto Iris, F1.3
Angle of View	Tele: 34.3° (D), 27.4° (H), 20.5° (V) Wide: 129° (D), 100.2° (H), 73.3° (V)
<b>Environmental</b>	
Temperature	Operating: -10°C to 50°C Storage: -20°C to 60°C
Relative Humidity	0% to 90% non-condensing
<b>Regulatory</b>	
Emissions	FCC, CE (EN55022)
Immunity	CE (EN50130-4)
Safety	UL60065, EU: 73/23/EEC LVD
<b>Electrical</b>	
Input Voltage	12 VDC/24 VAC
Input Range	11-16 VDC, 17-28 VAC
Surge Suppression	1.5 kW Transient
Power Consumption	3.5 W (max)
<b>Indoor In-ceiling Mount</b>	
<b>Mechanical</b>	
Dimensions	152mm H x 206.4mm Dia.
Weight	1.4 kg
Construction	Housing: Aluminium Lower Dome: Optical Grade Acrylic
Mounting Method	193.8mm diameter mounting hole with 3 wing tabs
Connectors	Video Output: BNC connector Power Input: (Screw terminal block)

Fixed Version	
<b>Surface and Pendant Mount</b>	
<b>Mechanical</b>	
Dimensions	Surface Mount Housing: 128mm H x 194mm Dia. tapering to 152mm Dia. Pendant Housing: 167.64mm H x 194mm Dia. tapering to 152mm Dia. Lower Dome: 146mm Dia.
Weight	1.4 kg
Construction	Housing: Polycarbonate Finish: Bi-colour Warm Grey 2C/Pantone 427C Lower Dome: Optical Grade Acrylic
Mounting Method	Surface mount on flat surface Can be recess mounted to reduce profile by 1.1" (28mm) 1.5" NPT with included mount
Connectors	Video Output: BNC connector Power Input: (Screw terminal block)

### Indoor 18X PTZ and Fixed Version Dimensions



# ACUIX™ ES Dome

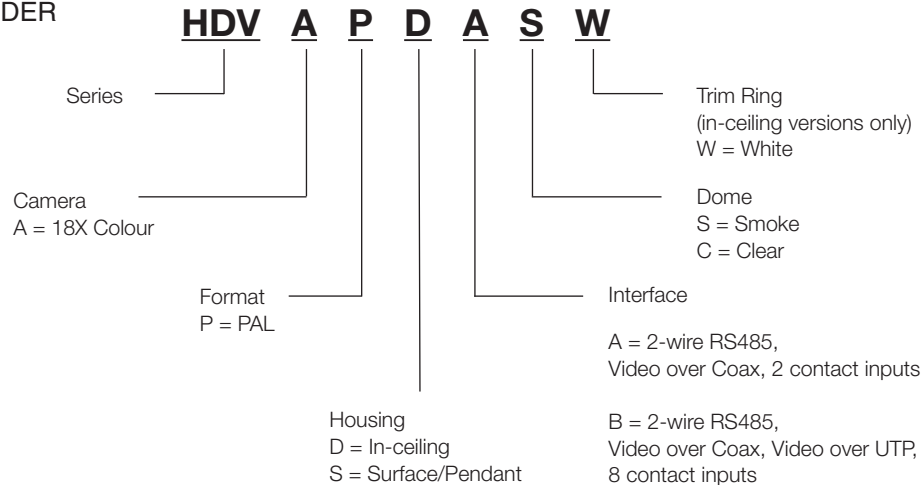
## SPECIFICATIONS

### Accessories

HDVWM1	ACUIX™ ES indoor wall mount bracket (not waterproof)
--------	--

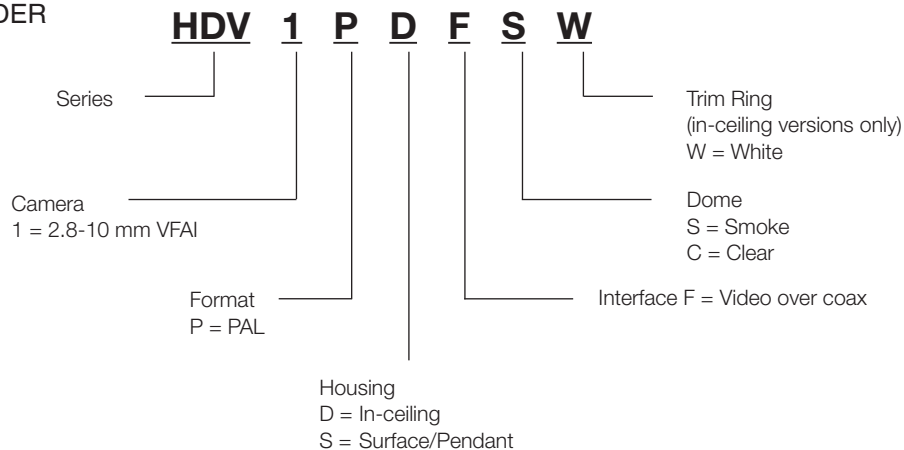
### Ordering - 18X PTZ Version

#### HOW TO ORDER



### Ordering - Fixed Version

#### HOW TO ORDER



**NOTE:** Honeywell reserves the right, without notification, to make changes in product design or specifications.

### Honeywell Security & Data Collection

Honeywell Systems Group  
Aston Fields Road  
Whitehouse Industrial Estate  
Runcorn  
Cheshire  
WA7 3DL  
Tel: 08448 000 235  
Fax: 01928 701 063  
[www.honeywell.com/security/uk](http://www.honeywell.com/security/uk)

HVS-ACUIXES-01-UK(0309)DS-GCSC  
March 2009  
© 2009 Honeywell International Inc.

**Honeywell**