

KD6i Series

Fixed Camera Bracket

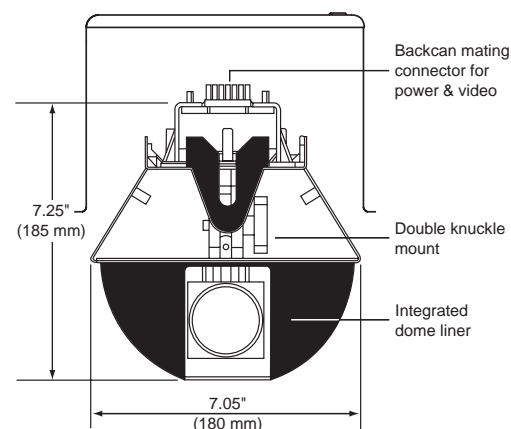
The KDF00M0000 fixed mounting bracket converts any KD6i into a fixed camera. This fixed bracket allows PTZ and fixed camera to be easily interchanged.

Fixed High-Res Color Camera

KC721BCN High Resolution Color Camera (Camera)

Fixed Camera Lenses

KL35V8IS	3.5-8 Manual iris varifocal
KL35V8DS	3.5-8 DC Auto iris varifocal
KL55V33IS	5.5-33 Manual iris varifocal
KL55V33DS	5.5-33 DC Auto iris varifocal



Accessories

Dome Backcan

KDT0D000	KD6 drop ceiling backcan
KDT0P000	KD6 pendant backcan
KDT0R000	KD6 Rugged backcan
KDT0W000	KD6 Weather backcan
KDT0E000	KD6 Nitrogen pressurized backcan

Dome Scans

KDSA00N1	KD6 scan 18X NTSC
KDSB00N1	KD6 scan 18X day/night NTSC
KDSC00N1	KD6 scan 23X NTSC

Lower Dome

Lower Dome	Type	Tint Color	Trim Color
KDB0DH00	Drop/Pendant	Smoked	White
KDB0DJ00	Drop/Pendant	Smoked	Black
KDB0D400	Drop/Pendant	Clear	Black
KDB0D500	Drop/Pendant	Clear	White
KDB0DA00	Drop/Pendant	Gold 1/2	Black
KDB0DB00	Drop/Pendant	Gold 1/2	White
KDB0DE00	Drop/Pendant	Chrome 1/2	Black
KDB0DF00	Drop/Pendant	Chrome 1/2	White
KDB0R400	Rugged	Clear	-
KDB0R200	Rugged	Smoked	-
KDB0W200	Weather	Smoked	-
KDB0W400	Weather	Clear	-

Components

Outdoor mounts

MDW1210W	Outdoor wall mount
DWM19S	Extreme condition wall mount
DMP15	Pendant mount

Mount adaptors

CMA18W	Corner mount adaptor for MDW1210W
CMA18BS	Corner mount adaptor for DWM19S
PMA7W	Pole mount adaptor for MDW1210W
PMA18BS	Pole mount adaptor for DWM19S
PMA14B	Pole mount adaptor for KZ0224UW

Outdoor power supply

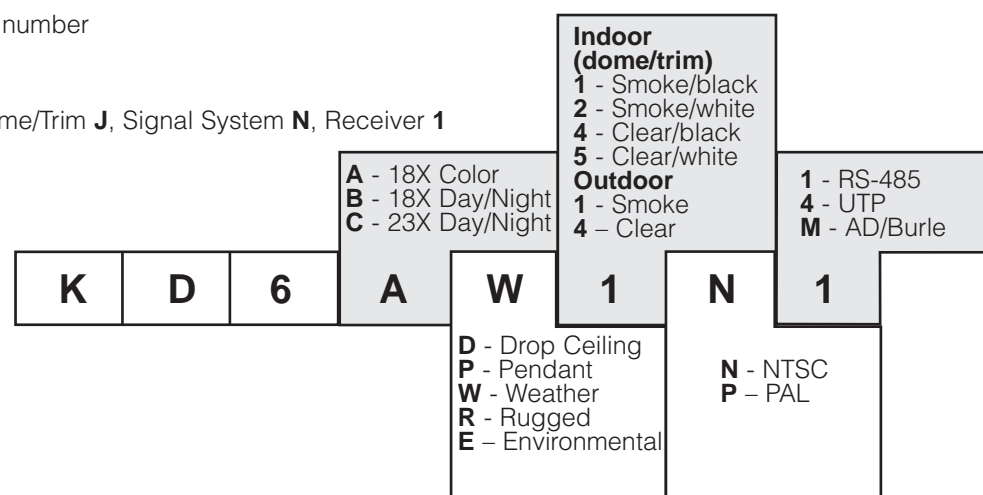
KZ0224UW	24VAC power supply for camera and heater 6amp, NEMA
----------	---

ORDERING:

Use the chart to create a part number

Example: KD6AW1N1

Camera **A**, Dome Style **W**, Dome/Trim **J**, Signal System **N**, Receiver **1**



Honeywell Video Systems - www.honeywellvideo.com			
North America 1.800.796.CCTV	Europe 44.1928.754000	Asia 61.2.8837.9300	Latin America 1.305.805.8188

KD6i Series

High-Speed Dome Systems



The KD6i Series is the new generation of KD6 domes from Honeywell Video Systems. This Series offers the highest performing domes on the market. With its lighting speed and fluid pan-and-tilt movements, any operator will agree the KD6i is the ultimate dome for the professional user.

Environments

Rigorous applications are no problem for the KD6i Series. From standard indoor installations to extreme element exposure of the outdoors, the KD6i stands tough. Performance and design drive the innovation behind the KD6i. While engineered to stand up to the harshest of environmental conditions, it is also engineered to blend into the critical architectural requirements.

Markets

The KD6 dome family has been a solid dome solution for an unlimited number of security and surveillance applications. Markets with stringent functional requirements, such as gaming, retail, industrial, traffic and correctional have long looked to the KD6 family for their dome system needs. Its comprehensive feature set and durability make it an obvious choice for a wide variety of markets.

Features:

- Optional high-resolution color camera converts to B&W for extreme low-light performance
- 360° continuous pan rotation (proportional to zoom)
- Variable pan speed 1/10° - 400° per second
- Three 2-minute PTZ Patterns (Auto Learn Function)
- 99 programmable PreShot (pan, tilt, zoom) positions with 24-character on-screen labels
- PreShot recall speed is approx. 1/2 second
- 10 programmable VectorScans (video guard tours)
- 16 sector IDs with 24-character on-screen displays
- Auto data polarization
- Four on-board alarm inputs
- Auto-pivot tracking
- Language selection (English, French, German, Italian, Polish or Spanish) for programming menus & on-screen displays
- 3rd Party Protocol Translation - Pelco "P" & "D", VCL, AD, Philips
- Auto Homing feature can also activate Tours and Patterns with dwell time up to 99 minutes
- Optional CAT5 cable compatibility
- "Flashback" recalls last PreShot or manual position
- 24VAC line-lock with 180° phase adjustment
- New fixed camera mount option

KD6i Series

Specifications

CAMERA	KD6A	KD6B	KD6C
Image Sensor	1/4 type EXview HAD CCD	1/4 type EXview HAD CCD	1/4 Progressive CCD
Lens	18X zoom, f=4.1 mm (wide) to 73.8 mm (tele), F1.4 to F3.0	18X zoom, f=4.1 mm (wide) to 73.8 mm (tele), F1.4 to F3.0	23X zoom, f=3.6 mm (wide) to 82.8 mm (tele), F1.6 to F3.7
Digital Zoom	12X (216X with optical zoom)	12X (216X with optical zoom)	4X (92X with optical zoom)
Angle of View (H)	48 degrees (wide end) to 2.8 degrees (tele end)	48 degrees (wide end) to 2.8 degrees (tele end)	54 degrees (wide end) to 2.5 degrees (tele end)
Sync System	Internal/External (V-Lock)	Internal/External (V-Lock)	Internal/External
Minimum Illumination	0.7 lux (typical) (50 IRE) 0.05 lux (slow shutter mode at 1/4s)	0.7 lux (typical) (50 IRE) 0.05 lux (slow shutter mode at 1/4s) 0.01 lux (NightShot at 1/4s)	3.0 lux (typical) 0.2 lux (slow shutter mode at 1/4s) 0.02 lux (NightShot at 1/4s)
S/N Ratio	More than 50dB	More than 50dB	More than 50dB
Electronic Shutter	1/1 to 1/10,000 s	1/1 to 1/10,000 s	1/2 to 1/4,000 s
White Balance	Auto, ATW, Indoor, Outdoor, Manual	Auto, ATW, Indoor, Outdoor, Manual	Auto/Manual
Gain	Auto/Manual (-3 to 28 dB, 2 dB steps)	Auto/Manual (0 to 28 dB, 2 dB steps)	Auto/Manual
AE Control	Auto, Manual, Exposure level, Back-light compensation	Auto, Manual, Exposure level, Back-light compensation	Auto, Manual, Wide Dynamic Range (WDR)
Exposure Level	-10.5 to +10.5 dB (1.5dB steps)	-10.5 to +10.5 dB (1.5dB steps)	
Back-Light Compensation	On/Off	On/Off	Wide Dynamic Range On/Off
Focusing System	Auto/Manual	Auto/Manual	Auto/Manual

KD6A - High resolution color camera with an 18x optical zoom (48° wide angle and 2.8° telephoto). The KD6A will accommodate the entire line of KD6i dome housings.

KD6B - High resolution day/night camera with an 18x optical zoom (48° wide angle and 2.8° telephoto). The KD6B will accommodate the entire line of KD6i dome housings.

KD6C - High resolution day/night camera with an 23x optical zoom (54° wide angle and 2.5° telephoto). The KD6C will accommodate the entire line of KD6i dome housings.

KD6 Fixed - The new fixed mounting bracket will interchange between any of the KD6i dome housings allowing PTZ to be exchanged with a fixed camera without a single tool.

Receiver/Driver

- Digital: On board microcontroller, flash EEPROM, and serial EEPROM memory.
- Communication: RS-485, Protocol, Baud rate, and Parity switch selectable
- Address: BCD (decimal) switch selectable

Certifications

- Certifications/Ratings: UL listed, CE approved, FCC approved

KD6i Series

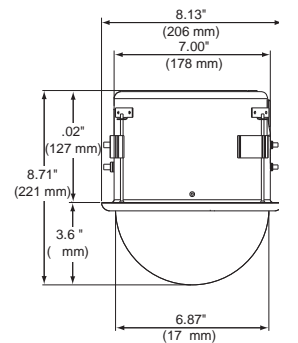
Dome Housing Features: Drop Ceiling Indoor

Electrical

- Input Voltage: PTZ – 24VAC @ 50/60Hz
- Input Power: PTZ – .9AMP @ 24VAC
- Operating Temperature: 32°F to 104°F (0°C to 40°C)
- Certifications/Ratings: UL listed
CE approved
FCC approved

Mechanical

- Dome Size: 5.02 H x 6-78 in dia. backbox 6-3/4 lower dome
- Weight: Drop/Hard Ceiling: 5.5 lbs. (2.50kg)
- Trim Ring: Diameter = 6-7/8" Color: Black or white



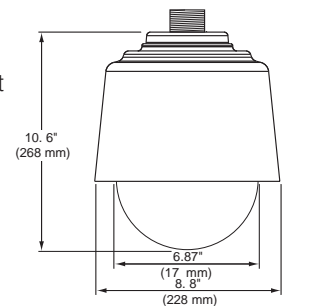
Pendant Indoor

Electrical

- Input Voltage: PTZ – 24VAC @ 50/60Hz
- Input Power: PTZ – .9AMP @ 24VAC
- Operating Temperature: 32°F to 104°F (0°C to 40°C)
- Certifications/Ratings: UL listed
CE approved
FCC approved

Mechanical

- Dome Size: 7.245 H x 8.98" in dia. pendant top 6-3/4 lower dome
- Weight: 6.6 lbs. (3.0kg)
- Trim Ring: Diameter = 6-7/8" Color: Black or white



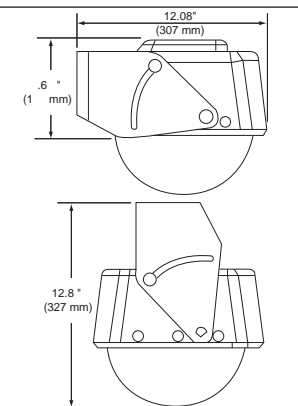
Rugged

Electrical

- Input Voltage: PTZ – 24VAC @ 50/60Hz
- Input Power: PTZ – .9AMP @ 24VAC
- Operating Temperature: -50°F to 122°F (-45°C to 50°C) with optional heater/blower
- Heater/Blower (Optional):
Input Voltage: 24VAC
Input Power: 24VAC @4A
Output: 96 Watts

Mechanical

- Dome Size: 12.89 H x 10.75 W in
- Weight: 14.75 lbs. (6.69kg)
- Dome Construction: Top: 0.187" thick reinforced aluminum alloy casting
Bottom: Vacuum formed, 0.160" thick optically-graded acrylic



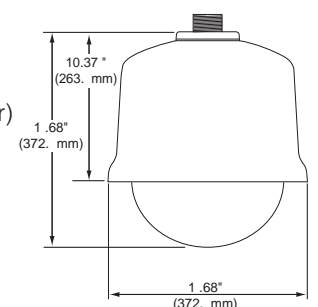
Weather

Electrical

- Input Voltage: PTZ – 24VAC @ 50/60Hz
Heater/Blower – 24VAC @ 50/60Hz
- Input Power: PTZ – .9AMP @ 24VAC
Heater/blower – 3.1A @ 24VAC
- Operating Temperature: -50°F to 122°F (-45°C to 50°C) maintained by heater/blower

Mechanical

- Dome Size: Top: 10.375 H x 12.38 W in (diameter) Bottom: 4.3 H x 9 D in (diameter)
- Weight: 15 lbs. (6.8 kg) (includes yoke)
- Dome Construction: Top, inner: steel
Top, outer: white reflective acrylic
Bottom: vacuum formed, optically graded acrylic



Harsh Environmental

Electrical

- Input Voltage: PTZ – 24VAC @ 50/60Hz
Heater/Blower – 24VAC @ 50/60Hz
- Input Power: PTZ – .9AMP @ 24VAC
Heater/blower – 3.1A @ 24VAC
- Operating Temperature: -50°F to 122°F (-45°C to 50°C) maintained by heater/blower

Mechanical

- Dome Size: Top: 10.375 H x 12.38 W in (diameter) Bottom: 4.3 H x 9.0 D in (diameter)
- Weight: 17 lbs. (7.7 kg) (includes yoke)
- Dome Construction: Top, inner: steel
Top, outer: white reflective acrylic
Bottom: vacuum formed, optically graded acrylic

