

HD3UH

ULTRA WIDE DYNAMIC VFAI LENS DAY/NIGHT INDOOR MINI DOME CAMERA

Honeywell's 960H System Series of cameras provides a wide range of high-quality, feature-rich video surveillance options for indoor, outdoor, and low-light applications.

Superior Image Quality

- 1/3" 1.3 megapixel CMOS image sensor
- Ultra high resolution image (800 TVL)
- 2.8–12 mm varifocal auto iris (VFAI) lens

Dependable Performance in Variable Light Conditions

- Vivid color rendition during daytime
- Excellent low-light performance (0.14 lux color)
- Ultra wide dynamic range (120 dB max.)
- 3D digital noise reduction
- Backlight compensation and highlight masking

Easy Installation

- Compact design for fast, easy installation
- Housing pieces snap together — no screws
- Camera converts easily to a surface or flush mount for direct installation to a ceiling or wall
- Flush mount "push-and-turn" tabs eliminate need for additional mounting hardware
- 3-axis rotation for precise camera positioning
- Second video output and on-board OSD controller for on-site adjustments
- Optional wall or pendant mounts available

Market Opportunities

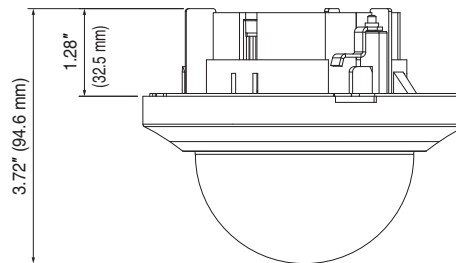
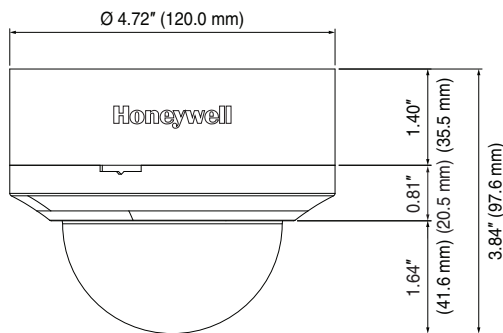
The HD3UH offers superb picture quality, true color reproduction, and enhanced low-light performance, making it the ideal solution for a range of indoor surveillance applications including banks, casinos, hospitals, schools, retail stores, and government and commercial buildings.



SPECIFICATIONS

Operational	
Video Standard	NTSC
Image Sensor	1/3" 1.3 MP CMOS
Number of Pixels (H×V)	1280 × 1024
Minimum Illumination	0.14 lux @ F1.4, 30 IRE
Horizontal Resolution	800 TVL
Video Output	1.0 Vp-p, composite @ 75 ohms
Sync System	Internal
S/N Ratio	55 dB or more (AGC off)
Auto Gain Control	Low/Mid/High/Custom
Automatic Electronic Shutter	1/60 to 1/60,000 s
Lens Type	2.8–12 mm, VFAI, F1.4
Gamma	0.45
Sense-Up	×2 to ×32
3D DNR	Off/Low/Mid/High
Motion Detection	4 programmable zones
Privacy Mask	16 programmable zones
White Balance	ATW/AWB/Push/Manual
Wide Dynamic Range	Low/Normal/Mid/High
BLC/HME	Low/Middle/High

Electrical	
Input Voltage	12 V DC/24 V AC ±10%
Power Consumption	12 V DC: 2.5 W max. 24 V AC: 3.0 W max.
Mechanical	
Dimensions	4.72 × 3.84 in. (120.0 × 97.6 mm)
Weight	0.66 lb (0.3 kg)
Construction	Housing: ABS Bubble: Polycarbonate
Connectors	Main video: BNC (coax) Aux video: 2-pin connector Power input: 2.1 mm plug
Environmental	
Temperature	Operating: 14°F to 122°F (-10°C to 50°C) Storage: -4°F to 140°F (-20°C to 60°C)
Relative Humidity	0% to 90%, non-condensing
Regulatory	
Emissions	FCC, Part 15B, Class B
Recommended Accessories	
Housing Mount	
HD3-MK1	Pendant/Wall Mount Kit
Power Supply	
HPTV2404UL	24 V AC, 4 A, 4 Output, Fused, UL Listed



ORDERING

Ordering	
HD3UH	Ultra Wide Dynamic Day/Night Indoor Mini Dome Camera, 1/3" CMOS, 800 TVL, 2.8–12 mm VFAI, 12 V DC/24 V AC, NTSC

NOTE: Honeywell reserves the right, without notification, to make changes in product design or specifications.

For more information:

www.honeywell.com/security

Automation and Control Solutions

Honeywell Security Products Americas
2700 Blankenbaker Pkwy, Suite 150
Louisville, KY 40299
1.800.323.4576
www.honeywell.com

Honeywell