

## HD28 Series

### INTEGRATED VANDAL DOME CAMERA

Honeywell announces the newest addition to our premium vandal dome camera line. The HD28 Series is a high-quality integrated CCTV camera that outperforms the competition. The HD28 consists of a fully integrated enclosure with camera and lens for fast and easy installation indoor or outdoor.

The ultra rugged, high-impact dome housing is vandal resistant and weather tight. The integrated housing protects the camera from dust, dirt, and water as well as physical harm from strong external impacts (for example, hockey sticks or sledge hammers). The visually appealing, low profile design blends with its surroundings, making the HD28 the obvious choice for architecturally-sensitive installations. The impact-resistant, no-scratch, clear polycarbonate dome has an adjustable dome insert to conceal camera components without compromising high resolution, true day/night or wide dynamic functionality, light sensitivity or picture quality. A wide selection of color cameras and two built-in lens options ensures consistent delivery of crisp, clear images in every lighting environment. Shipped completely assembled, the HD28 offers high resolution, style and simple-to-install design, making this the premium vandal dome camera of choice.

#### Market Opportunities

Today's security market is rapidly changing from part-time observation (day or night) to round-the-clock surveillance. With Honeywell's easy-to-order, easy-to-install, HD28 series integrated vandal dome cameras, you can now upgrade CCTV security systems quickly and affordably. The HD28 series provides custom designed surveillance cameras that add value to your services and expand your market. You can respond to customer needs by offering the most popular, high performance camera options - a CCTV camera that's right for any application - indoor or out.

#### Features

- Wide range of color cameras, including True Day/Night (mechanical IR cut filter) and Wide Dynamic
- Flush mount enclosure, indoor or outdoors
- Ultra rugged, high-impact, dome housing is vandal resistant
- Weather tight - IP66 rated - for applications such as hospitals, schools, commercial, and public buildings
- 3D gimbal allows for maximum lens rotation and placement
- Built-in Vari-focal Auto Iris lens (2.6 - 6 mm or 4 - 9 mm @ F1.5)
- One power connector self-configures to either 12 VDC or 24 VAC



HD28

# HD28 Series

www.honeywellvideo.com

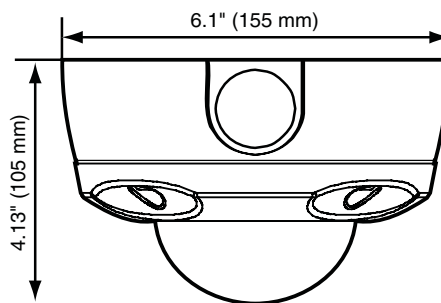
## INTEGRATED VANDAL DOME CAMERA

Operational	
Pickup Device:	Sony 1/3" Interline CCD Sensor
Effective Picture Elements:	NTSC: 768 X 494 PAL: 752 x 582
Electronic Iris:	1/60 (1/50) to 1/100,000 seconds
Video Output: Coaxial	1 V p-p @ 75 Ohms
Video Signal:	NTSC or PAL Standards
S/N Ratio:	Better than 50 dB
Sync System:	12 VDC: Internal, 24 VAC: External (VD lock)
Light Sensitivity: Color TDN Wide Dynamic	1.0 lux @ F1.5 0.3 lux @ F1.5 0.6 lux @ F1.5
Horizontal Resolution:	480 TV lines
Backlight Compensation:	Center window weighted, User-selectable On/Off switch
Auto White Balance: (Color cameras only)	AWB/ATW/Indoor (3200°K), Outdoor (6500°K)
Electrical	
Input Voltage (at Camera):	15 VDC (11-16V) or 24 VAC
Surge Protection:	1.5 kW transient
Current Consumption: Color, including TDN Wide Dynamic	4.5 W (complete system) 3.5 W (complete system)
Operating Temperature:	-13°F to 122°F (-25°C to 50°C)
Housing Specifications	
Housing Dimensions:	6.1 in. diameter (150 mm), overall height 4.13 in. (115 mm)
Weight:	3.0 lbs. (1.37 kg)
Housing Material:	Die cast aluminum alloy
Dome Material:	Hard coated polycarbonate (clear dome with insert)
Ratings:	FCC Part 15B, CE, Meets IP66, UL2044

**NOTE:** Honeywell reserves the right, without notification, to make changes in product design or specifications.

Field of View		
(mm)	2.8 - 6.0	4.0 - 9.0
Horizontal	99.8° - 48.1°	68° - 32.1°
Vertical	75.3° - 36.2°	50.2° - 24.1°
Relative F-stop	F1.4	F1.5

Ordering		
NTSC	PAL	
HD28C4HR6	HD28C4HR6X	Color, High Res, 2.6-6 mm, VFAI lens
HD28C4HR9	HD28C4HR9X	Color, High Res, 4-9 mm, VFAI lens
HD28W4HR6	HD28W4HR6X	Color, Wide Dynamic, 2.6-6 mm, VFAI lens
HD28W4HR9	HD28W4HR9X	Color, Wide Dynamic, 4-9 mm, VFAI lens
HD28D4HR6	HD28D4HR6X	Color, True Day/Night, 2.6-6 mm, VFAI lens
HD28D4HR9	HD28D4HR9X	Color, True Day/Night, 4-9 mm, VFAI lens



### Honeywell Security

Honeywell Video Systems  
2700 Blankenbaker Pkwy, Suite 150  
Louisville, KY 40299  
800.796.CCTV  
www.honeywell.com

HV05131  
L/HD28/D  
November 2005  
©2005 Honeywell International, Inc.