

HCD484EX

HIGH RESOLUTION TRUE DAY/NIGHT CAMERA

The Honeywell Video Systems HCD484EX colour camera is ideally suited for use in 24/7 surveillance applications. The HCD484EX adapts to varying lighting conditions to ensure the highest quality picture even in very low light conditions. When the light level drops too low for accurate video identification in colour, the camera automatically moves the IR cut filter out of the optical path, and switches to black and white video to capture more detail using the increased sensitivity of the CCD to IR light. The camera uses internal logic, external light sensors or RS485 communication to control the switchover from colour to monochrome. This improves the reliability of the operation of the camera in difficult installation or lighting conditions.

An on-screen text menu simplifies all setup and adjustment options. Menu navigation is simple and picture adjustments can be made in a matter of seconds with easy-to-use push buttons on the side of the camera.

The HCD484EX includes an automatic electronic shutter for changes in light level, and 6 zones of automatic backlight compensation option for viewing backlit scenes. The HCD484EX produces 480 TV lines of resolution for applications requiring the highest level of sharpness in video quality as well as providing reliable video quality even in low light conditions down to 0.06 lux.

Market Opportunities

The Honeywell HCD484EX is designed for cost-effective, high-resolution surveillance day and nighttime applications including those with infrared illumination. This includes general indoor surveillance applications in retail, financial, and other commercial markets. Combined with the Honeywell housing, the HCD484EX can be used as a cost-effective 24/7 solution for outdoor applications, such as car parks, building building entrances and driveways.

Features

- Wall or ceiling mount
- 1/3" colour CCD with DSP
- 480 TVL resolution
- True Day/Night Low-light performance down to 0.06 lux (F1.2)
- Automatic Electronic Shutter (AES)
- 6 Zone Automatic Backlight Compensation (BLC)
- 12 VDC/24 VAC with line lock
- Supports DC or Video Drive Auto Iris lenses
- Phase adjustable line lock

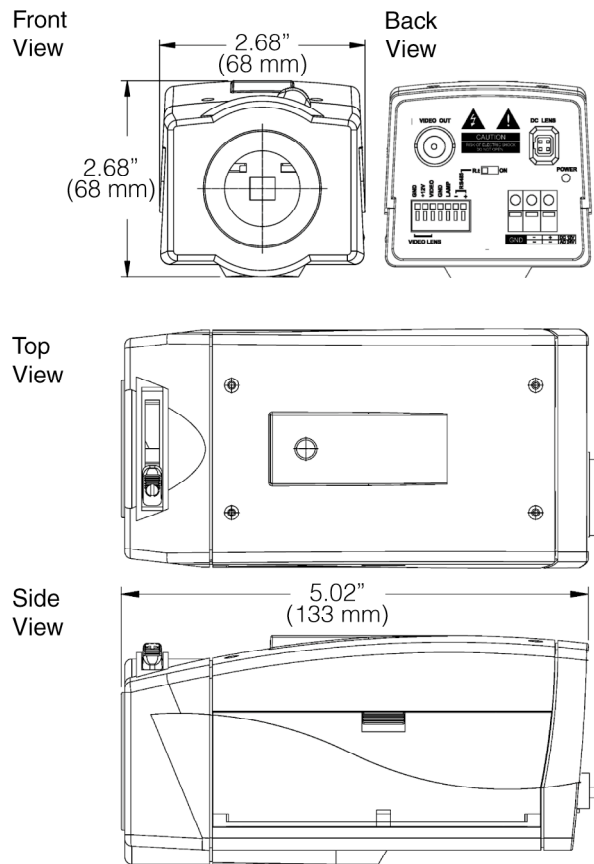


HCD484EX

SPECIFICATIONS

Operational	
Video Standard	PAL
Scanning System	520/50 (PAL)
Image Sensor	1/3" Interline transfer CCD
Number of Pixels	752 (H) x 582 (V) (PAL)
Light Sensitivity	0.5 lux (colour), 0.06 lux (B/W) @ F1.2 (50 IRE)
Resolution	480 TVL
Video Output	1 Vp-p, composite, 75 Ohms
S/N Ratio	50 dB typical
AGC Control	Adjustable
ALC	Adjustable level control for direct drive Auto Iris lenses
Auto Electronic Shutter	1/60 – 1/100,000 second
Sync. System	Internal or line lock
V-Phase	Adjustable line lock vertical phase
Gamma Compensation	3 curve selectable; 0.45 / 0.8 / 1
Day/Night Control	IR Pass/IR Cut/Internal Logic, RS485, Chroma On/Off
BLC	6 Area Select and Level Adjustment; Centre 1, Centre 2, Door Way 1, Door Way 2, Upper Half, Lower Half
White Balance	AWB, ATW, Manual (2500K-15000K)
Remote Control	RS485
Electrical	
Power Supply	12 VDC / 24 VAC
Surge Suppression	Internal transformer
Power Consumption	4.5 W (Max)
Mechanical	
Dimensions (W x H x D)	2.68" x 2.68" x 5.02" 68 mm x 68 mm x 133 mm
Weight	1.0 lb (454 g) camera only
Lens Mount	C/CS adjustable mounting ring
Camera Mount	1/4 - 20 UNC (top and bottom)
Housing	Aluminium
Video Output	BNC connector
Power Input	Push-pin connector with ground
Power Indicator	LED
Environmental	
Operating Temp.	14°F to 122°F (-10°C to 50°C)
Relative Humidity	20% to 80% relative humidity

Regulatory	
Emissions	EN 55022 Class B, FCC: Part 15
EMC Immunity	EN50130-4:1995+A1:1998
Optional	
Mounting	MC1600WT Wall/Ceiling Mount Bracket
Housing	AVH530 Series Environmental Housing
Power Supplies	HPTV2401D HPTV2408-1D
Recommended Lens Options (IR corrected)	
HLD29V8DNL	2.9 - 8 mm F0.95, Aspherical Vari-focal lens
HLD27V13DNL	2.7 - 13.5 mm F1.3, Aspherical Vari-focal lens
HLD5V50DNL	5.0 - 50 mm F1.6, Aspherical Vari-focal lens



Ordering	
HCD484EX	1/3" High-Resolution True Day/Night Camera with DSP, 480 TVL, 0.06 lux, 12 VDC/24 VAC, PAL, RS485
HCD485EX	1/3" High-Resolution True Day/Night Camera with DSP, 480 TVL, 0.06 lux, 230 V, PAL, RS485

NOTE: Honeywell reserves the right, without notification, to make changes in product design or specifications.

Honeywell Security
Honeywell Video Systems
Aston Fields Road
Whitehouse Industrial Estate
Runcorn
Cheshire WA7 3DL
Tel: 0844 800 0235
Fax: +44 (0) 1928 701063
www.honeywell.com/security/uk

HVS-HCD484-01-UK(1206)DS-LB
December 2006
©2006 Honeywell International Inc.

Honeywell