

9" Dual Rack Mount Color Monitor

The ADEMCO Video AMC9 is a high quality, 9" color monitor designed for dual-rack mounting within a standard rack. The monitor features a sturdy housing and delivers sharp color images with 300 TV lines of resolution. The AMC9 is ideal for single-camera viewing, or multiple camera displays when combined with a quad or multiplexer.

Unlike conventional monitors, the AMC9 features convenient, recessed, front panel controls that ensure quick and easy setup and adjustments, while restricting movement caused by accidental contact. It senses the difference between NTSC and PAL video formats and automatically adapts to the correct mode of operation, facilitating ease of installation. The monitor also features a latching power switch that remains in its set position – either on or off – eliminating the need to manually turn the monitor back on in the event of a power loss.

The AMC9 has both composite BNC connectors and Y/C mini DIN connectors for S-video. Since the BNC connectors are auto-terminating, there is no need for users to set termination switches when using the BNC connectors for loop-through video.

The AMC9 has audio input and output connectors, allowing users to "listen in" as well as view the monitored area. The ADEMCO Video AMC9 can be conveniently rack-mounted – two across in a standard 18" rack using the optional rack-mount kit (AMC9RK2), or placed on a desktop.

FEATURES:

- 300 TVL (at center)
- Convenient recessed front panel controls
- Heavy duty metal cabinet
- Supports two composite and one Y/C video input (looping)
- NTSC or PAL compatible
- Video loop-through with automatic termination
- Audio Input/Output
- Rack mountable



AMC9

AMC9

SPECIFICATIONS:

General

- Picture Tube: 9" (29 cm)
- Resolution: 300 TV lines (at center)
- Video Standard: NTSC/PAL
- Deflection: 90° angle

Electrical

- Power Source: 90 to 132VAC (60 Hz) and 198 to 264VAC (50Hz)
- AC Input Connector: IEC 320 type connector for AC input
- Power Cable: NEMA 5-15P, UL
- Power Consumption: 55 Watts
- Scanning Frequency
 - Horizontal: 15.75 KHz (NTSC); 15.625 KHz (PAL)
 - Vertical: 60 Hz (NTSC); 50 Hz (PAL)
- Video Input:
 - Video A/B: NTSC Composite 1.0 Vp-p (75 Ohms/NegSync)
- Y/C
 - S-VHS: Y sig.=1V p-p; C sig.= 0.285 Vp-p (75 Ohms)
- Audio Input/Output: 300 mVrms
- Connectors
 - Video A/B (In and Out): Two BNC Pairs (Auto-terminating)
 - Y/C (In and Out): Two Mini DIN 4-Pin Connectors
 - Audio (In and Out): Two RCA Connectors

Controls

- Front:
 - Volume
 - Sharpness
 - Contrast
 - Brightness
 - Color
 - Tint
 - Y/C Selector
 - A/B Selector
 - Power
- Rear: Y/C Impedance Switch

Environmental

- Operating Temperature: 32°F to 104°F (0°C to 40°C)
- Operating Humidity: 10% to 90% (noncondensing)

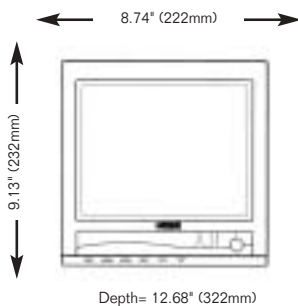
Mechanical

- Dimensions: 8.74" W x 9.13" H x 12.68" D (222 mm x 232 mm x 322 mm)
- Weight: 16.5 lbs. (7.5 Kg)
- Shipping Weight: 19 lbs. (8.6 Kg)

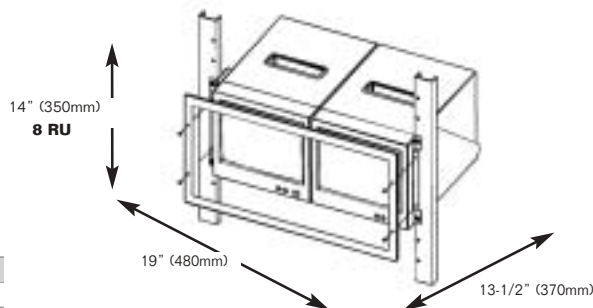
Regulatory

- Emissions: FCC Part 15, Class B, Canada ICES-003
- Safety: UL: UL1950, cUL: CSA C22.2 No. 950, DHHS Rules 21

DIMENSIONS



9" Color dual rack mount kit



ORDERING:

Part No.	Description
AMC10	10-inch Color Monitor
AMC9	9-inch Color Monitor
AMC14	14-inch Color Monitor
AMC21	21-inch Color Monitor
AMM9	9-inch Monochrome Monitor
AMM12	12-inch Monochrome Monitor
AMM17	17-inch Monochrome Monitor

Accessories

AMC9RK2 9" Color Dual Mount Kit
L/AMC9RK2/D 1/03

9"
Dual Rack
Mount
Color Monitor

ADEMCO Video Systems Support Center

Toll-free 800-796-CCTV
Direct 972-353-6500
Fax 972-353-6670
www.ademcovideo.com

1305 Waters Ridge Drive
Lewisville, Texas 75057

Copyright ©2003 Honeywell International

ADEMCO
VIDEO
A Honeywell Company