

DS-2DE5120W-AE(3) 1.3MP 20X Network PTZ Dome Camera



Hikvision DS-2DE5120W-AE(3) PTZ Dome Cameras are able to capture high quality images in low light environment with its black anti-reflective glass. Embedded with 1/3" progressive scan CMOS chip makes DWDR and 1280 x 960 real-time resolution possible. With the 20X optical zoom lens, the camera offers more details over expansive areas. Hikvision DS-2DE5120W-AE(3) PTZ Dome Cameras also features a wide range of functions, including intrusion detection, line crossing detection and audio exception, benefitting users with great improvement on security efficiency, more importantly, with key events / objects being recorded for further forensic needs.

Key Features

- 1/3" Progressive Scan CMOS
- 1280 x 960@60fps
- 20X Optical Zoom
- DWDR
- 3D intelligent positioning function
- Support cloud P2P
- PoE(802.3at) / 24VAC power supply



Function Description

Basic function

- High performance CMOS, up to 1280 x 960 resolution.
- $\pm 0.1^\circ$ Preset Accuracy.
- ONVIF(Open Network Video Interface Forum), CGI(Common Gateway Interface), PSIA(Physical Security Interoperability Alliance), to ensure greater interoperability between different platforms and compatibility.
- 3D intelligent positioning function.
- 3D DNR.
- IP66, IK10 standard (Only for -AE outdoor dome).
- 2 alarm inputs and 1 alarm outputs.
- 1 audio input and 1 audio output.

Smart Function

- Smart image processing: support defog, HLC/BLC.
- Smart codec: low bit rate, ROI.
- Smart detection: support intrusion detection, line crossing detection, audio exception detection.

Camera function

- Auto iris, auto focus, auto white balance, backlight compensation and auto day & night switch.
- Min. Illumination: Color: 0.05Lux @ (F1.6, AGC ON), B/W: 0.01Lux @ (F1.6, AGC ON).
- Support 8 privacy masks.

PTZ functions

- 360° endless pan range and -5°-90° tilt range
- 300°/s Pan Preset Speed and 200°/s Tilt Preset Speed
- 0.1°-250°/s Manual Pan Speed and 0.1°-150°/s Manual Tilt Speed
- 300 presets programmable; preset image freezing capability
- 8 patrols, up to 32 presets per patrol Park action.
- Power-off memory: restore PTZ & Lens status after reboot.

Network function

- H.264/MJPEG video compression.
- H.264 encoding with Baseline/Main/High profile.
- ROI(Region of Interest) encoding.
- Built-in Web server.
- Onboard storage, up to 128GB.
- Support up to 8 NAS storage; Edge recording (transmit the videos from SD card to the NAS after network resumed).
- HTTPS encryption and IEEE 802.1X port-based network access control.
- Support three streams.
- Multiple network protocols supported: IPv4/IPv6, HTTP, HTTPS, 802.1X, QoS, FTP, SMTP, UPnP, SNMP, DNS, DDNS, NTP, RTSP, RTP, TCP, UDP, IGMP, ICMP, DHCP, PPPoE.

Specifications

Model	DS-2DE5120W-AE(3)
Camera Module	
Image Sensor	1/3" Progressive Scan CMOS
Min. Illumination	F1.6, AGC On: Color: 0.05 lux, B/W : 0.01 lux,
Max. Image Resolution	1280 x 960
Focal Length	4.7-94mm, 20x
Digital Zoom	16X
Zoom Speed	Approx.2.7s(Optical Wide~Tele)
Angle of View	58.3-3.2 degree (Wide~Tele)
Min. Working Distance	10~1,500mm(Wide~Tele)
Aperture Range	F1.6-F3.5
Focus Mode	Auto / Semiautomatic / Manual
DWDR	Support
Shutter Time	1-1/10,000s
AGC	Auto / Manual
White Balance	Auto / Manual /ATW/Indoor/Outdoor/Daylight lamp/Sodium lamp
Day & Night	IR Cut Filter
Privacy Mask	8 privacy masks programmable
Enhancement	3D DNR, BLC
Pan and Tilt	
Range	Pan:360° endless; Tilt: -5°~90°(Auto Flip)
Speed	Pan Manual Speed: 0.1°~250°/s, Pan Preset Speed: 300°/s Tilt Manual Speed: 0.1°~150°/s, Tilt Preset Speed: 200°/s
Number of Preset	300
Patrol	8 patrols, up to 32 presets per patrol
Pattern	4 pattern scans, record time over 10 minutes for each scan
Park Action	Preset / Patrol / Pattern / Pan scan / Tilt scan / Random scan / Frame scan / Panorama scan
Scheduled Task	Auto scan / Frame scan / Random scan / Patrol / Pattern / Preset / Panorama scan / Tilt scan / Dome reboot / Dome adjust / Aux output
Features	
Detection	Intrusion detection, Line crossing detection, Audio exception detection, Motion detection
ROI encoding	Support
Alarm	
Alarm I/O	2/1
Alarm Trigger	Tampering alarm, Network disconnect, IP address conflict, Storage exception
Alarm Action	Preset, Patrol, Pattern, Recording, Relay output, Upload center, Upload FTP, Email linkage

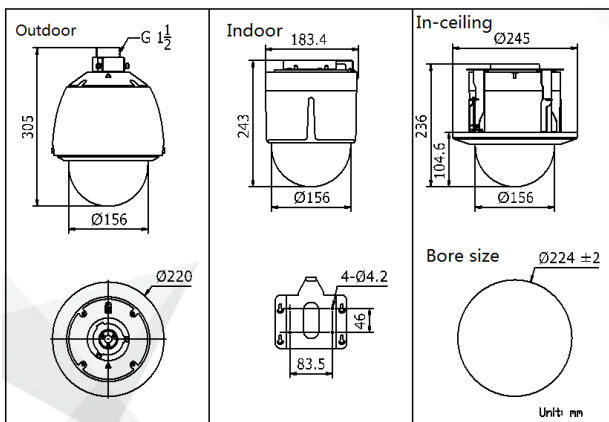
Input/Output	
Audio Input	1 Mic in/Line in interface, line input: 2-2.4V[p-p]; output impedance: 1K Ω , \pm 10%
Audio Output	1 Audio output interface, line level, impedance: 600 Ω
Network	
Ethernet	10Base-T / 100Base-TX, RJ45 connector
Stream	Support three stream
Main Stream	50Hz:25fps (1280 \times 960,1280 \times 720), 50fps (1280 \times 960,1280 \times 720) ; 60Hz: 30fps(1280 \times 960,1280 \times 720), 60fps (1280 \times 960,1280 \times 720)
Sub Stream	50Hz:25fps(704 \times 576,640 \times 480,352 \times 288);60Hz:30fps(704 \times 480,640 \times 480,352 \times 240)
Three Stream	50Hz:25fps (1280 \times 960,1280 \times 720,704 \times 576,640 \times 480,352 \times 288); 60Hz: 30fps(1280 \times 960,1280 \times 720,704 \times 480,640 \times 480,352 \times 240)
Image Compression	H.264/MJPEG
Audio Compression	G.711ulaw/G.711alaw/G.726/MP2L2/G.722
Protocols	IPv4/IPv6, HTTP, HTTPS, 802.1X, QoS, FTP, SMTP, UPnP, SNMP, DNS, DDNS, NTP, RTSP, RTP, TCP, UDP, IGMP, ICMP, DHCP, PPPoE
Simultaneous Live View	Up to 20 users
Mini SD Memory Card	Support up to 128GB Micro SD/SDHC/SDXC card. Support Edge recording
User/Host Level	Up to 32 users,3 Levels: Administrator, Operator and User
Security Measures	User authentication (ID and PW); Host authentication (MAC address); IP address filtering
System Integration	
Application programming	Open-ended API, support ONVIF, PSIA and CG , Support cloud P2P
Web Browser	IE 7+, Chrome 18 +, Firefox 5.0 +, Safari 5.02 +
Power	AC 24V and PoE (802.3at, class4) Max.: 18W
Working Temperature	-AE: -30 $^{\circ}$ C to 65 $^{\circ}$ C (-22 $^{\circ}$ F to 149 $^{\circ}$ F) -AE3: -10 $^{\circ}$ C to 50 $^{\circ}$ C (14 $^{\circ}$ F to 122 $^{\circ}$ F)
Humidity	90% or less
Protection Level	IP66, IK10 Standard (- AE outdoor camera); TVS 4000V Lightning Protection, Surge Protection and Voltage Transient Protection
Certification	FCC, CE, UL, RoHS, IEC/EN 61000, IEC/EN 55022, IEC/EN 55024, IEC /EN60950-1
Dimensions	Φ 220 \times 305mm(Outdoor) Φ 183.4 \times 243mm(Indoor) Φ 245 \times 236mm (In-ceiling)
Weight (approx.)	3kg (6.61lbs)
Mount Option	Long-arm wall mount: DS-1602ZJ; Corner mount: DS-1602ZJ-corner; Pole Mount: DS-1602ZJ-pole; Power box mount:DS-1602ZJ-box;

Order Models

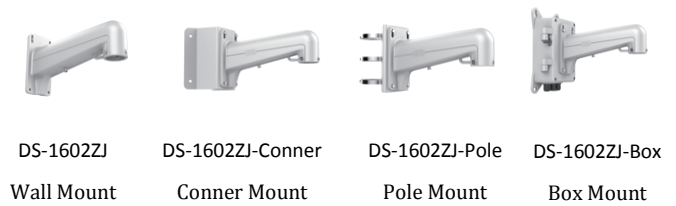
- DS-2DE5120W-AE, AC24V, PoE (802.3at, class4), Outdoor, IP66, IK10
- DS-2DE5120W-AE3, AC24V, PoE (802.3at, class4), Indoor

NOTE: indoor models support ceiling or in-ceiling mount.

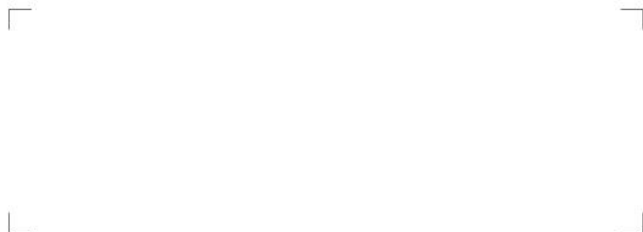
Dimensions



Accessories



Distributed by



Headquarters

No.555 Qianmo Road, Binjiang District,
Hangzhou 310051, China
T +86-571-8807-5998
overseasbusiness@hikvision.com

Hikvision Poland

T +48-22-460-01-50
poland@hikvision.com

Hikvision USA

T +1-909-895-0400
sales.usa@hikvision.com

Hikvision India

T +91-22-28469900
sales@pramahikvision.com

Hikvision UK

T +44-1628-9021-4
support.uk@hikvision.com

Hikvision Europe

T +31-23-5542770
saleseuro@hikvision.com

Hikvision Italy

T +39-0438-6902
info.it@hikvision.com

Hikvision Singapore

T +65-6684-4718
sg@hikvision.com

Hikvision Middle East

T +971-4-8816086
salesme@hikvision.com

Hikvision France

T +33(0)1-85-330-444
info.fr@hikvision.com

Hikvision Oceania

T +61-2-8599-4233
salesau@hikvision.com

Hikvision Russia

T +7-495-669-67-99
saleru@hikvision.com

Hikvision Spain

T +34-91-737-16-55
info.es@hikvision.com

Hikvision Hong Kong

T +852-2151-1761