

DS-2DE4182 series

2MP Network PTZ Dome Camera

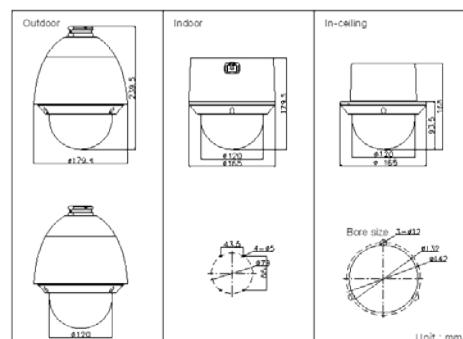
Compact-sized



Key features

- 1/2.8" Progressive Scan CMOS
- 1080P Full HD resolution
- 4X Optical zoom, 16X digital zoom
- True Day/Night, D WDR , 3D DNR
- 3D intelligent positioning
- PoE+ / PoE / 24VAC power supply
- Compact-sized design

Dimensions



Accessories



Available models

DS-2DE4182-AE, 24VAC/PoE+, outdoor
DS-2DE4182-AE3, 24VAC/PoE, indoor

DS-2DE4182-AE / DS-2DE4182-AE3

Camera	
Image sensor	1/2.8" Progressive Scan CMOS
Effective pixel	1920(H) × 1080(V)
Min. illumination	Color : 0.3 lux (F1.6, 1/30 sec, 50 IRE, AGC on), B/W : 0.01 lux (F1.6, 1/30 sec, 50 IRE, AGC on) Color : 0.02 lux (F1.6, 1/1 sec, 50 IRE, AGC on), B/W : 0.002 lux (F1.6, 1/1 sec, 50 IRE, AGC on)
White balance	Auto/Manual/ATW/Indoor/Outdoor/Daylight lamp/Sodium lamp
AGC	Auto / Manual
S / N ratio	≥ 52dB
Digital noise reduction	3D DNR
Backlight compensation	HLC/BLC
Wide dynamic range	Digital WDR
Shutter speed	1/1 ~ 1/10,000s
Day & Night	IR Cut Filter
Digital zoom	16X
Focus mode	Auto / Semiautomatic / Manual
Privacy Mask	2 privacy masks programmable
Lens	
Focal length	2.8 ~ 12mm, 4X
Zoom speed	Approx. 1s (Optical Wide-Tele)
Angle of view	115-33.8 degree (Wide-Tele)
Min. working distance	10 ~ 1500mm (Wide-Tele)
Aperture range	F1.6 ~ F3.5
Pan and Tilt	
Pan / Tilt range	Pan: 360° endless; Tilt: -2° ~ 90°(Auto Flip)
Pan / Tilt speed	Pan manual speed: 0.1° ~ 160°/s, Pan preset speed: 160°/s Tilt manual speed: 0.1° ~ 120°/s, Tilt preset speed: 120°/s
Proportional zoom	Rotation speed can be adjusted automatically according to zoom multiples
Number of preset	300
Patrol	8 patrols, up to 32 presets per patrol
Park action	Pattern/Pan scan/Tilt scan/Frame scan/Panorama scan/Random scan
Power-off memory	Support
PTZ position display	Support
Preset freezing	Support
Scheduled task	Auto Scan / Frame Scan / Random Scan / Patrol / Pattern / Preset / Panorama Scan/ Tilt Scan / Dome Reboot/ Dome Adjust / Aux Output
Infrared	
IR distance	Up to 100m
IR intensity	Automatically adjusted, depending on the zoom ratio
Alarm	
Alarm input	2 inputs (0-5v DC)
Alarm output	1 relay outputs, alarm response actions configurable
Alarm trigger	Intrusion detection, Line crossing detection, Motion detection, Audio Exception Detection, Dynamic analysis, Tampering alarm, Network disconnect, IP address conflict, Storage exception
Alarm actions	Preset, Patrol, Pattern, Recording, Relay output, Upload center, Upload FTP, Email linkage
Local Video and Audio	
Video output	1.0V[p-p] / 75Ω, PAL or NTSC composite, BNC
Audio input	1 Mic in/Line in interface, Line input: 2 ~ 2.4V[p-p]; output impedance: 1KΩ, ±10%
Audio output	1 Audio output interface, Line level, impedance: 600Ω
Network	
Ethernet	10Base-T / 100Base-TX, RJ45 connector
Max. image resolution	1920×1080
Frame rate	50Hz: 25 fps (1920×1080), 25 fps (1280×720); 60Hz: 30 fps (1920×1080), 30 fps (1280×720)
Image compression	H.264/MJPEG
Audio compression	G.711u / G.711a / G.726 / MP2L2
Protocols	IPv4/IPv6, HTTP, HTTPS, 802.1X, QoS, FTP, SMTP, UPnP, SNMP, DNS, DDNS, NTP, RTSP, RTP, TCP, UDP, IGMP, ICMP, DHCP, PPPoE
Simultaneous live view	Up to 20
Streams	Dual streams
SD memory card	Built-in micro SD card slot, up to 64GB
User/Host Level	Up to 32 users, 3 Levels: Administrator, Operator, User
Security measures	User authentication (ID and PW), Host authentication (MAC address), IP address filtering
Integration	
Application programming	Open-ended API, support Onvif, PSIA and CGI, support EZVIZ cloud P2P
Web Browser	IE 7+, Chrome 18+, Firefox 5.0+, Safari 5.02+
General	
Power	-AE: 24VAC/PoE+(802.3af), Max18W; -AE3: 24VAC/PoE(802.3af), Max 12W
Working temperature	-AE: -30°C ~ 65°C (-22°F ~ 149°F) ; -AE3: -10°C ~ 50°C (14°F ~ 122°F)
Humidity	90% or less
Protection level	IP66 (outdoor model) TVS 4,000V lightning protection, surge protection and voltage transient protection Φ179.4×239.5mm (Φ7.06"×9.43") (outdoor)
Dimensions	Φ165×179.5mm(Φ6.50"×7.07") (ceiling) Φ165×168mm(Φ6.50"×6.61") (In-ceiling)
Weight	Approx. 2Kg (4.41lbs)
Mount option	Long-arm wall mount: DS-1602ZJ; Short-arm mount: DS-1618ZJ (for outdoor model) Pendent mount: DS-1661ZJ(20cm) or DS-1662ZJ(50cm)

NOTE: Indoor models support ceiling and in-ceiling mount.