

## DS-2CE16D5T-(A)VFIT3 HD1080P WDR Vari-focal EXIR Bullet Camera



### Key Features

- 2 Megapixel high-performance CMOS
- Analog HD output, up to 1080P resolution
- 2.8-12mm vari-focal lens
- True Day/Night
- OSD menu, 3D DNR, Smart IR
- True WDR, up to 120dB
- EXIR technology, up to 50m IR distance
- IP66 weatherproof
- Up the Coax(HIKVISION-C, Pelco-C protocol)



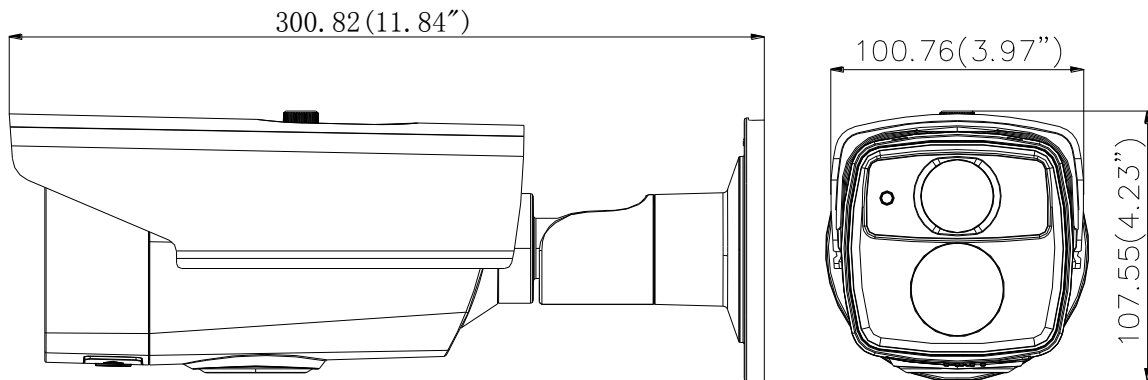
## Specifications

<b>Camera</b>	
Image Sensor	2MP CMOS Image Sensor
Signal System	PAL/NTSC
Effective Pixels	1944(H)*1092(V)
Min. illumination	0.01 Lux @ (F1.2,AGC ON),0 Lux with IR; 0.014 Lux @ (F1.4,AGC ON),0 Lux with IR
Shutter Time	1/25(1/30)s to 1/50,000s
Lens	2.8 - 12 mm @ F1.4
	Angle of view: 103° - 32.1°
Lens Mount	φ14
Day & Night	ICR
Angle Adjustment	Pan: 0° - 360°; Tilt:0° - 90°; Rotate: 0° - 360°
Synchronization	Internal synchronization
WDR	120dB
Video Frame Rate	1080p@25fps/1080p@30fps
HD Video Output	1 Analog HD output
CVBS Output	1Vp-p Composite Output(75Ω/BNC)
S/N Ratio	> 62dB
<b>Menu</b>	
Scene	Indoor, Outdoor, Indoor1, LOW-LIGHT
Camera ID	On/off (15 characters, position programmable)
AGC	Support
D/N Mode	Color/BW/EXT
White Balance	ATW/ AWC-SET/ Manual
Privacy Mask	On/Off, maximum 8 zones
Motion Detection	On/Off, maximum 4 zones
BLC	Support
Anti-flicker	On/off
Language	English, Japanese, CHN1, CHN2, Korean, German, French, Italian, Spanish, Polish, Russian, Portuguese, Dutch, Turkish, Hebrew and Arabic
Functions	HSBLC, Digital noise reduction, Digital zoom(62x), Slow shutter, Mirror, Defog, Defect pixel correction, SMART D-ZOOM
<b>General</b>	
Operating Conditions	-30 °C – 60 °C (-22 °F – 140 °F), Humidity 90% or less (non-condensing)
Power Supply	12 VDC ± 15%; -A: 12 VDC ± 15% 24 VAC ± 15%,
Power Consumption	Max. 7W; -A: Max. 10W
Protection Level	IP66
IR Range	Up to 50m
Communication	Up the coax, Protocol: Pelco-C(CVBS output), HIKVISION-C(TVI output)
Dimensions	300.82×100.76×107.55mm(11.84"×3.97"×4.23")
Weight	1550 g

## Order Models

DS-2CE16D5T-VFIT3, DS-2CE16D5T-AVFIT3

## Dimensions



Unit:mm

## Accessories



DS-1275ZJ

Vertical Pole Mounting



DS-1280ZJ-S

Junction Box



DS-1H18

Video Balun



X41T

Camera Tester



DS-1276ZJ

Corner Mounting



DS-1260ZJ

Junction box

Distributed by



### Headquarters

No.555 Qianmo Road, Binjiang District,  
Hangzhou 310051, China  
T +86-571-8807-5998  
overseasbusiness@hikvision.com

### Hikvision Poland

T +48-22-460-01-50  
poland@hikvision.com

### Hikvision USA

T +1-909-895-0400  
sales.usa@hikvision.com

### Hikvision India

T +91-22-28469900  
sales@pramahikvision.com

### Hikvision UK

T +44-1628-9021-4  
support.uk@hikvision.com

### Hikvision Europe

T +31-23-5542770  
saleseuro@hikvision.com

### Hikvision Italy

T +39-0438-6902  
info.it@hikvision.com

### Hikvision Singapore

T +65-6684-4718  
sg@hikvision.com

### Hikvision Middle East

T +971-4-8816086  
salesme@hikvision.com

### Hikvision France

T +33(0)1-85-330-444  
info.fr@hikvision.com

### Hikvision Oceania

T +61-2-8599-4233  
salesau@hikvision.com

### Hikvision Russia

T +7-495-669-67-99  
saleru@hikvision.com

### Hikvision Spain

T +34-91-737-16-55  
info.es@hikvision.com

### Hikvision Hong Kong

T +852-2151-1761