

## DS-2CD6626DS-IZ(H)S

2 MP Ultra Low-Light& ICR Day/Night Anti-Corrosion  
Dome Camera



### Key Features:

- Up to 1920\*1080 @ 60 fps for real-time HD image output with H.264 high profile encoding
- Progressive scan CMOS with smooth and fluent capture for moving object
- ROI and SVC are adopted with high compression ratio, flexible disposal and low bitrate
- Support WDR up to 120dB and 3D DNR
- Built-in Micro SD/SDHC/SDXC slot, up to 128 GB
- Support true day and night surveillance with an auto ICR switch and two sets of configurable parameters
- Support high efficiency infrared light with long lifespan, IR distance up to 10-30 meters
- Support three-axis adjustment function and local analog output, easy for installation adjustment
- Support motorized zoom lens
- Supports intelligent auxiliary heating (-H optional)
- Smooth stream configuration adjusting to different requirements for image quality & fluency
- Support three simultaneous stream output and record ;dual HD stream set with different resolution, frame rate and bit rate independently; 20 simultaneous access and mobile monitoring supported
- Support Defog, EIS, White Balance
- Support BLC, Auto Electronic Shutter, Auto Iris, Slow Shutter, Rotate Mode
- Support Line Crossing Detection, Scene Change Detection, Intrusion Detection, Audio Exception Detection, Defocus Detection, Motion Detection, Face Detection, Region Entrance/ Exiting Detection, Unattended Baggage/Object Removal Detection ,Object Counting, etc.
- Fully functional: Picture Overlay, Anonymous Access, IP Address Filtering, Heartbeat, Mirror , PTZ Control, Alarm, One-key Recovery
- Support NAS, Email, FTP, NTP server test
- Support HTTPS, SSH security authentication, establish certificate
- Lock user IP for many times error login
- Support basic and digest authentication for web security
- Support password complexity hint
- 316 or 316L stainless steel anti-corrosion materials design
- WF2, C5-M anti-corrosion standards avoid acidic and NSS (neutral salt spray )corrosion
- IP67 waterproof and dustproof for wet and watery environment
- Support GB/T19845-2005 standard particular on vibration of ship equipment and machine component

### Specifications:

Model	DS-2CD6626DS-IZ(H)S
Parameters	2 MP Ultra Low-Light& WDR Anti-Corrosion Dome Camera
<b>Camera</b>	
Image Sensor	1/1.8" Progressive Scan CMOS
Min. Illumination	0.002 Lux @ (F1.2, AGC ON) 0 Lux with IR
Shutter Speed	1 s to 1/100,000 s
Slow Shutter	Support
Lens Mount	φ14
Lens	2.8-12mm F1.4, angle of view: 92°~32°
Adjustment Range	Pan: 0°~355°, tilt: 0°~75°, rotation: 0°~355°
Auto Iris	DC drive
Day &Night	IR cut filter with auto switch
Digital Noise Reduction	3D DNR
WDR	120dB
<b>Compression Standard</b>	
Video Compression	H.264 / MJPEG / MPEG4
H.264 encoding level	Base Line Profile/ Main Profile/ High Profile
Video Bit Rate	32Kbps~16Mbps
Audio Compression	G.711/G.722.1/G.726/MP2L2
Audio Bit Rate	64Kbps(G.711) / 16Kbps(G.722.1) / 16Kbps(G.726) / 32-128Kbps(MP2L2)
<b>Image</b>	
Max. Resolution	1920 x 1080
Frame Rate	50Hz: 50fps (1920 x 1080,1280 x 960,1280 x 720) ; 60Hz: 60fps (1920 x 1080,1280 x 960,1280 x720)
Image Settings	Corridor mode, Saturation, Brightness, Contrast and sharpness are adjustable by client software or web browser
Backlight compensation	Yes, zone optional
Defog	Support
EIS	Support
HLC	Support
Day/Night Switch	Auto, Schedule, Alarm trigger
Picture Overlay	Support 24-bit BMP image overlay, zone optional
ROI	Support
<b>Network</b>	
Network Storage	Micro SD/SDHC/SDXC card (up to 128G), NAS (Support NFS,SMB/CIFS)
Alarm Trigger	Tampering alarm, Network disconnect, IP address conflict, Storage full, storage error
Smart features	Line Crossing Detection, Scene Change Detection, Intrusion Detection, Audio Exception Detection, Defocus Detection, Motion Detection, Face Detection, Region Entrance/ Exiting Detection, Rapid Motion Detection , Unattended Baggage/Object Removal Detection , Dynamic Analysis, etc.
Protocols	TCP/IP,ICMP,HTTP,HTTPS,FTP,DHCP,DNS,DDNS,RTP,RTSP,RTCP PPPoE,NTP,UPnP,SMTP,SNMP,IGMP,802.1X,QoS,IPv6,Bonjour
Standard	ONVIF(PROFILE S,PROFILE G),PSIA,CGI,ISAPI,GB28181
General function	One-key recovery, Flash-prevention, three stream, heartbeat, mirror, password protection, video cover, watermark, IP address filtering, Anonymous access
<b>Interface</b>	
Audio interface	Audio in(Mic in / Line in) / output external interface(Plug wire type)
Communication	1 RJ45 10M/100M Ethernet Network
Housing interface	1 anti-corrosion inlet protected by a metal hose

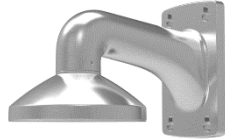
### Application Scenarios:

Chemical plants, ports, ships, coastal road, islands that with high anti-corrosion requirement.

## Order Models:

DS-2CD6626DS-IZS, DS-2CD6626DS-IZHS

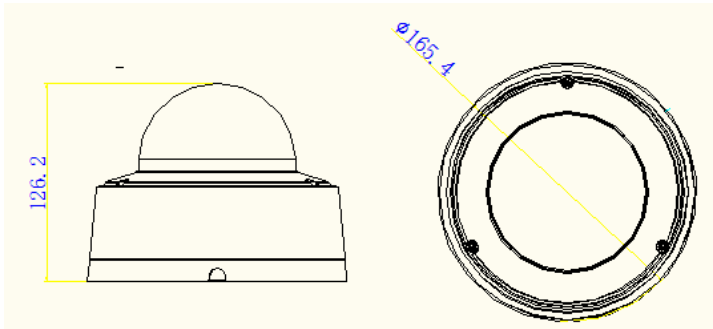
## Accessories:



DS-1284ZJ-M Junction Box

DS-1703ZJ Wall Mount Bracket

## Dimension:



Video Output	1Vp-p composite output (75 Ω/BNC)
Alarm	1 Input /1 output (up to DC24V 1A or AC110V 500mA)
<b>General</b>	
Operating Conditions	-40 °C – 60 °C Humidity 95% or less (non-condensing)
Power Supply	AC24V/DC12V/PoE(802.3at)
Power Consumption	16W MAX
IR Range	Approx. 10-30 m
Electric auxiliary heating	-H: With intelligent heating
Dimensions (mm)	Φ165.4 × 126.2
Weight	3360g