

High Resolution, Day & Night Vandal-Resistant Dome Camera

# SVD-4400

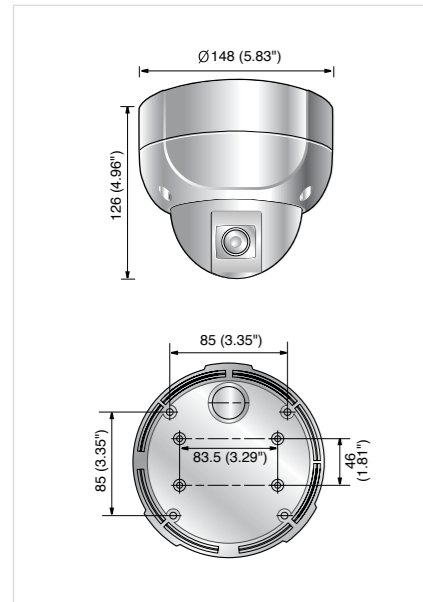


## Specifications

	SVD-4400N	SVD-4400P
<b>ELECTRICAL</b>		
Input Voltage	Dual (12V DC/ 24V AC)	
Power Consumption	Max. 3.5W	
<b>VIDEO</b>		
Imaging Device	1/3" Super HAD CCD	
Total Pixels	811(H) x 508(V)	795(H) x 596(V)
Effective Pixels	768(H) x 494(V)	752(H) x 582(V)
Scanning System	2 : 1 Interlace	
Synchronization	Internal / Line lock	
Frequency	H : 15.734KHz / V : 59.94Hz	H : 15.625KHz / V : 50Hz
Horizontal Resolution	Color : 580TV lines (Min.) / B/W : 700TV lines (Min.)	
Min. Illumination	Color : 0.15Lux (50 IRE@F1.2), 0.0006Lux (Sens-up, 256X) B/W : 0.001Lux (50 IRE@F1.2), 0.00004Lux (Sens-up, 256X)	
S / N (Y signal)	52dB	
Video Output	CVBS : 1.0Vp-p / 75	
<b>LENS</b>		
Zoom Ratio	3.6X (Manual)	
Focal Length	2.8 ~ 10mm (F1.2)	
Max. Aperture Ratio	1 : 1.2(Wide) ~ 2.8(Tele)	
Min. Object Distance	0.2m (0.66ft)	
Angular Field of View	H : 94.4°(Wide) ~ 28°(Tele) / V : 69.2°(Wide) ~ 21°(Tele)	
Focus	Auto / Manual / One-push	
Iris Control	Auto / Manual	
<b>PAN / TILT / ROTATE</b>		
Pan Range	0° ~ 340°	
Tilt Range	0° ~ 146°	
Rotate Range	0° ~ 340°	
<b>OPERATIONAL</b>		
On Screen Display	Built-in (Currently supported language : English, Spanish, French, German, Italian, Japanese, Chinese)	
Camera Title	On / Off	
Day & Night	Auto (ICR) / Color / B/W	
Backlight Compensation	BLC / HLC / Off	
Motion Detection	On / Off	
Digital Image Stabilization	On / Off	
Privacy Masking	On / Off (8 Programmable zones)	
3D Noise Filter (SSNRII)	On / Off	
Sens-up (Frame Integration)	Auto / Off (Selectable limit ~ 256X)	
Gain Control	Low / High / Off	
White Balance	ATW / AWC / Manual / Indoor / Outdoor	
Electronic Shutter Speed	Fixed (1/60 / Flickerless)	Fixed (1/50 / Flickerless)
Communication	RS-485	
Protocol	Samsung Techwin, Pelco-D	
Flip	On / Off	
Mirror	On / Off	
<b>ENVIRONMENTAL</b>		
Operating Temperature / Humidity	-10°C ~ +50°C / 20% ~ 80% RH	
Storage Temperature / Humidity	-20°C ~ +60°C / 20% ~ 95% RH	
<b>MECHANICAL</b>		
Dimension (WxH)	Ø148 x 126mm (Ø5.83" x 4.96")	
Weight	1.3Kg (2.87 lb)	
Ingress Protection	IP66	
Certifications	FCC (Class A), UL/cUL listed	CE (Class A)

## Dimensions

Unit : mm (inch)



The Eco mark represents Samsung Techwin's will to create environment-friendly products, and indicates that the product satisfies the EU RoHS Directive.

## Accessories



Design and specifications are subject to change without notice.

DISTRIBUTED BY



SAMSUNG TECHWIN



# Unparalleled Durability!

High Durability Vandal-Resistant Dome Camera

# SVD-4400

High Resolution, Day & Night Vandal-Resistant Dome Camera

- Horizontal Resolution of 580TV lines, Ultra Low Light Level of 0.15Lux
- Extra Durable Chassis, IP-66 Rated for Dust/Waterproof
- ICR Day & Night Technology for 24/7 Optimal Video Quality
- Built-In 3.6X Vari-Focal Lens, 3-Axis Rotating Dome
- Privacy Masking & DIS (Digital Image Stabilization)



www.samsungcctv.com



**SAMSUNG TECHWIN CO., LTD.**  
145-3, Sangdaewon 1-dong, Jungwon-gu, Seongnam-si, Gyeonggi-do Korea 462-703  
Tel : +82-31-740-8151-8 Fax : +82-31-740-8145  
www.samsungcctv.com

**SAMSUNG TECHWIN AMERICA Inc.**  
1480 Charles Willard St, Carson, CA 90746, UNITED STATES  
Tel Free : +1-877-213-1222 Fax : +1-310-632-2195  
www.samsungcctvusa.com

**SAMSUNG TECHWIN EUROPE CO., LTD.**  
Samsung House, 1000 Hillwood Drive, Hillwood Business Park  
Chertsey, Surrey, UNITED KINGDOM KT16 0PS  
Tel : +44-1932-45-5300 Fax : +44-1932-45-5325

**TIANJIN SAMSUNG TECHWIN OPTO-ELECTRONICS CO., LTD.**  
No.11 Wei 6 Street, Micro-Electronic Industrial Park  
Jingang Road, Tianjin, P.R. CHINA 300385  
Tel : +86-22-23887788 Fax : +86-22-23887788

I.E-0904

# Powerful Performance! Clear Images!

High Durability,  
High Resolution Vandal-Resistant Dome Camera

## SVD-4400

### Clear Horizontal Resolution of 580TV Lines



Equipped with a high sensitivity CCD sensor and the W-IV DSP chipset, the SVD-4400 achieves crystal clear, vivid graphics in color at a horizontal resolution of 580TV lines.



Conventional Camera



SVD-4400

### Built-in 3.6X Vari-Focal Lens & 3-Axis Rotating Dome, Ideal for Both Indoor & Outdoor Installation

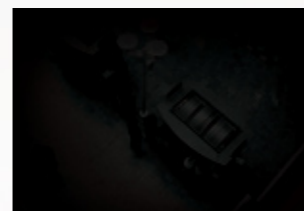
Equipped with the high performance W-IV DSP chipset, the SVD-4400 high resolution vandal dome camera achieves a horizontal resolution of 580TV lines for exceptional imaging. With an ultra low light level of 0.15Lux, it forms noise-free images even in the darkest places. The extra-sturdy aluminum chassis provides unparalleled durability. This camera features enhanced user-friendly options including a multi-language OSD, DIS (Digital Image Stabilization), a Privacy Masking menu, and comes with a wide selection of installation accessories.



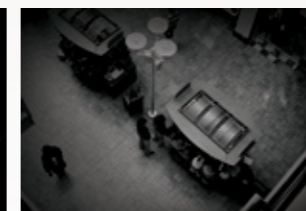
### Ultra Low Light Level of 0.15Lux, SSNR II Noise Reduction Technology



With an ultra low light level of 0.15Lux, the SVD-4400 clearly recognizes objects in complete darkness. Using Samsung Techwin's proprietary noise reduction technology, SSNR II, it achieves a noise-free 52dB S/N ratio for an ideal monitoring environment.



Conventional Camera



SVD-4400

### Highly Durable Aluminum Chassis, IP66-Rated for Dust/Waterproof



Encased in a highly durable aluminum chassis, the SVD-4400 offers unparalleled durability and exceptional anti-shock protection. It is also IP66-rated for both dust and waterproofing to maintain stable performance under harsh outdoor weather conditions.



### ICR "Day & Night" Technology



The SVD-4400's embedded ICR Day & Night technology adjusts the ICR filter automatically according to different light levels to achieve optimal image quality 24/7.



Conventional Camera



SVD-4400

### Built-in 3.6X Vari-Focal Lens (2.8 ~ 10mm) & 3-Axis Rotating Dome



The built-in 3.6X vari-focal lens (2.8 ~ 10mm) provides an optimal monitoring range in any installation environment. The 3-axis rotating dome base aids the camera in achieving optimal image quality at any location including walls and incline where it is installed.



wall



Incline

### Privacy Masking



The SVD-4400 supports a Privacy Masking option that enables excluding selected areas from monitoring. The location, size, and color of the masked areas are fully customizable.



Normal



Privacy Masking

### Various User-Friendly Options



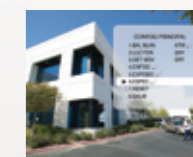
The SVD-4400's enhanced user-friendly options include DIS (Digital Image Stabilization) and a convenient multi-language OSD. It also comes with a wide selection of vandal dome accessories for easy, convenient installation.



DIS Off



DIS On



OSD

