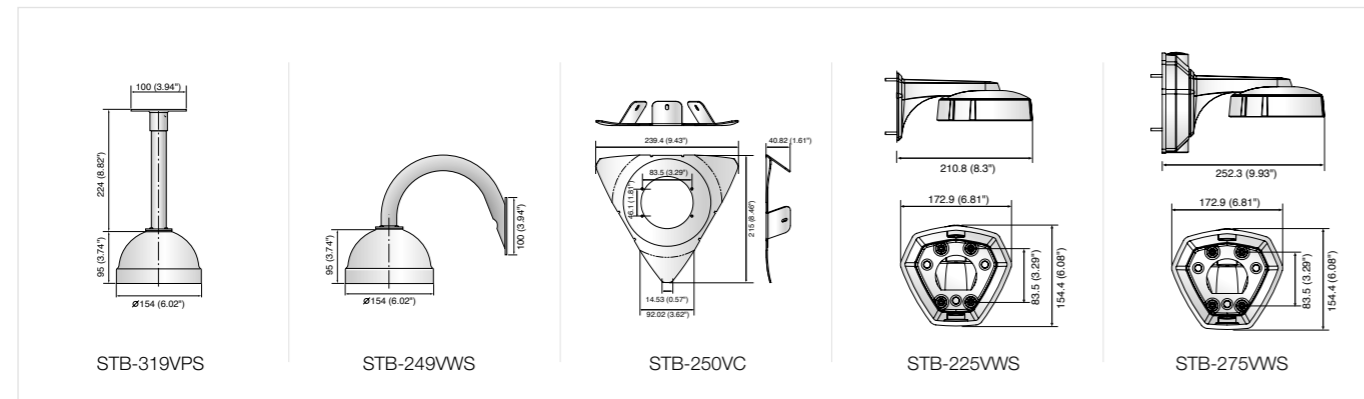


Mounts for Vandal-Resistant Dome Camera (SVD-4600/4300)

Mode	STB-319VPS (Pendant Mount)	STB-249VWS (Wall Mount)	STB-250VC (Corner Mount)	STB-225VWS (Wall Mount)	STB-275VWS (Wall Mount)
Operating Temperature	-10°C ~ 50°C	-10°C ~ 50°C	-10°C ~ 50°C	-10°C ~ 50°C	-10°C ~ 50°C
Operating Humidity	0 to 90% RH (non-condensing)	0 to 90% RH (non-condensing)	0 to 90% RH (non-condensing)	0 to 90% RH (non-condensing)	0 to 90% RH (non-condensing)
Materials	Housing	AL	AL	SPCC	AL
	Ring	SPPS	SPPS	-	-
	Dome	SPCC	SPCC	-	-
Antivibration / Waterproof	-	-	-	-	-
Dimensions	Ø154(W) x 319(H)mm Ø6.06"(W) x 12.56"(H)	Ø154(W) x 249(D)mm Ø6.06"(W) x 9.8"(H)	239.4(W) x 215(H) x 40.82(D)mm 9.43"(W) x 8.46"(H) x 1.61"(D)	172.9(W) x 154.4(H) x 210.8(D)mm 6.81"(W) x 6.08"(H) x 8.3"(D)	172.9(W) x 154.4(H) x 252.3(D)mm 6.81"(W) x 6.08"(H) x 9.93"(D)
Weight	650g (1.43 lb)	950g (2.09 lb)	471g (2.09 lb)	800g (1.76 lb)	840g (1.85 lb)

Dimensions

Unit : mm (inch)



Housing for Fixed Camera

Mount for IR Camera (SIR-4150)

Mode	STH-600/600H (Indoor/Outdoor Housing)	STH-350 (Indoor Housing)	STH-200 (Indoor Housing)	STB-4150V (Wall Mount)
Operating Temperature	-35°C ~ 50°C	-35°C ~ 50°C	-35°C ~ 50°C	-10°C ~ 50°C
Operating Humidity	0 to 90% RH (non-condensing)	0 to 90% RH (non-condensing)	0 to 90% RH (non-condensing)	0 to 90% RH (non-condensing)
Materials	Housing	AL	ABS	AL
	Ring	-	-	-
	Dome	-	-	-
Antivibration / Waterproof	-	-	-	-
Dimensions	232(W) x 149(H) x 626(D)mm 9.13"(W) x 5.87"(H) x 24.65"(D)	171(W) x 109(H) x 470(D)mm 6.73"(W) x 4.29"(H) x 18.5"(D)	113(W) x 92(H) x 405(D)mm 4.45"(W) x 3.62"(H) x 15.94"(D)	Ø80(W) x 155.4(H)mm Ø3.15"(W) x 6.12"(H)
Weight	4Kg (8.82 lb)	1.3Kg (2.87 lb)	1Kg (2.2 lb)	400g (0.88 lb)

Dimensions

Unit : mm (inch)

