

1/2" C-Mount LENS

Auto Iris Lens Series



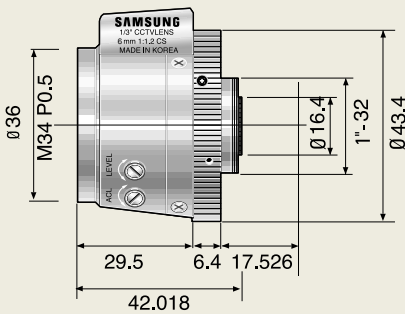
LENS

Side View



Dimension

SLA-064C / 084C / 124C



Features

CCTV LENS C-Mount 6mm, 8mm, 12mm

- High Quality, Compact Design
- For 1/2" or 1/3" Format Camera
- Excellent Low Light Performance
- Extremely Simple Installation and Adjustment

Specification

| Model | SLA-064C | SLA-084C | SLA-124C | |
|------------------------|--|-----------------|-----------------|----------|
| Focal length | 6mm | 8mm | 12mm | |
| Max. aperture ratio | 1:1.4 | | | |
| Image format | 6.4 X 4.8mm | | | |
| Iris operation | Auto Iris, F/1.4-about F/64, ND filter | | | |
| Focus operation | Manual/0.2m ~ ∞ | Manual/0.2m ~ ∞ | Manual/0.3m ~ ∞ | |
| Angle of View | Diagonal | 68.0° | 53.7° | 37.4° |
| | Horizontal | 56.4° | 43.6° | 29.9° |
| | Vertical | 43.4° | 33.0° | 22.4° |
| Object distance | 0.2m ~ ∞ | 0.2m ~ ∞ | 0.3m ~ ∞ | |
| Metering method | Continuously adjustable average-peak response weighting | | | |
| Input voltage | DC8-16V(Max 40mA) | | | |
| Input signal | Video signal(VS or V) | | | |
| Iris accuracy | ± 20% at Video signal level | | | |
| Sensitivity adjustment | Video signal level 0.5 to 1.0Vp-p, Continuously adjustable | | | |
| Input impedance | High impedance | | | |
| Light compensation | Approx. 1.5 second | | | |
| Back focal length | 13.143mm | 14.137mm | 11.759mm | |
| Flange focal length | 17.526mm | | | |
| Mount | C mount | | | |
| Dimension | ø43.4 X 36.7(L) X 47.2(H) | | | |
| Filter screw size | M34P0.5 | M34P0.5 | M34P0.5 | |
| Effective diameter | F.Lens | ø19.36mm | ø14.50mm | ø9.70mm |
| | F.Lens | ø9.68mm | ø10.26mm | ø10.08mm |
| Weight | 74g | 67g | 72g | |

Design and specifications are subject to change without notice.