

# Beyond series

## 1280H Analog Cameras



# SCV-5083

1280H WDR Vandal-Resistant Dome Camera

- 950TV lines high resolution
- 120dB WDR, Day & Night (ICR)
- 0.03Lux@F1.2, 50IRE (Color),  
0.003Lux@F1.2 50IRE (B/W)
- 0.01Lux@F1.2, 30IRE (Color),  
0.001Lux@F1.2 30IRE (B/W)
- SSSDR, SSSNR IV, Defog
- Video analytics : Fixed/Moved, Fence,  
Tracking, Detection, Counting, Tampering
- Privacy masking 24 zones (4 point polygonal)
- 1x ~ 16x Digital zoom
- Coaxial communication
- IP66, IK10

Samsung has redefined the analog market by introducing its new "Beyond" series, capturing quality images in 950TVL resolution. The SCV-5083 belongs to the 1280H Beyond analog camera series that provides 950TV lines resolution with user-friendly and value added functions such as a 120dB Wide Dynamic Range, Day & Night, Samsung Super Dynamic Range (SSDR), Samsung Super Noise Reduction IV (SSNR IV) and Video Analytics (That includes Fixed / Moved, Fence, Tracking, Motion Detection, Counting and Tampering).

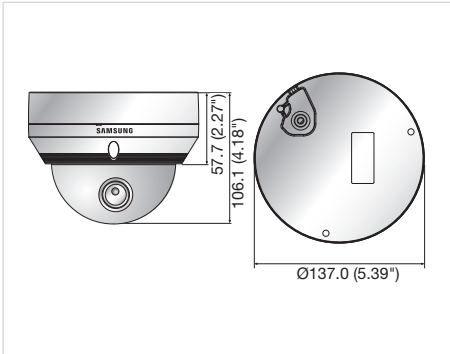


## Key Features

- 950TV lines high resolution
- 120dB WDR, Day & Night (ICR)
- 0.03Lux@F1.2, 50IRE (Color), 0.003Lux@F1.2 50IRE (B/W)
- 0.01Lux@F1.2, 30IRE (Color), 0.001Lux@F1.2 30IRE (B/W)
- SSSDR, SSSNR IV, Defog
- Video analytics : Fixed/Moved, Fence, Tracking, Detection, Counting, Tampering
- Privacy masking 24 zones (4 point polygonal)
- 1x ~ 16x Digital zoom
- Coaxial communication
- IP66, IK10

## Dimensions

Unit : mm (inch)



## Accessory (Optional)



	SCV-5083N	SCV-5083P
<b>VIDEO</b>		
Imaging Device	1/3" 1.3M CMOS	
Total Pixels	1,312(H) x 1,069(V)	
Effective Pixels	1,280(H) x 1,024(V)	
Scanning System	Progressive scan	
Synchronization	Internal / Line lock (TBD)	
Frequency	H : 15.734KHz / V : 59.94Hz	H : 15.625KHz / V : 50Hz
Horizontal Resolution	Color : 950TV lines (TBD) B/W : 850TV lines (TBD)	
Min. Illumination	Color : 0.03Lux (F1.2, 50IRE), 0.01Lux (F1.2, 30IRE) (TBD) B/W : 0.003Lux (F1.2, 50IRE), 0.001Lux (F1.2, 30IRE) (TBD)	
S / N Ratio	52dB (AGC off, Weight on) (TBD)	
Video Output	CVBS : 1.0 Vp-p / 75Ω composite	
<b>LENS</b>		
Focal Length (Zoom Ratio)	2.8 ~ 10mm	
Max. Aperture Ratio	F1.2	
Angular Field of View	H : 94.6°(Wide) ~ 28.8°(Tele) / V : 68.4°(Wide) ~ 21.6°(Tele) (TBD)	
Min. Object Distance	0.5m (1.64ft)	
Focus Control	Manual	
Lens Type	DC auto iris	
Mount Type	Board type	
<b>OPERATIONAL</b>		
On Screen Display	English, Japanese, Spanish, French, Portuguese, Korean	English, French, German, Spanish, Italian, Chinese, Russian, Polish, Czech, Romanian, Serbian, Swedish, Danish, Turkish, Portuguese
Camera Title	Off / On (Displayed 15 characters)	
Day & Night	Auto (ICR) / External / Color / B/W	
Backlight Compensation	Off / User BLC / HLC / WDR	
Wide Dynamic Range	120dB (TBD)	
Contrast Enhancement	SSDR (Off / On)	
Digital Noise Reduction	SSNR IV (Off / On)	
Defog	Off / Auto / Manual	
Purple Fringe Reduction	Off / On	
Digital Image Stabilization	Off / On	
Motion Detection	Off / On	
Privacy Masking	Off / On (24 programmable zones with 4 points polygonal masking)	
Sens-up (Frame Integration)	2x ~ 60x	
Gain Control	Off / Low / Middle / High	
White Balance	ATW / Outdoor / Indoor / Manual / AWC (1,800°K ~ 10,500°K)	
Electronic Shutter Speed	1/60 ~ 1/120,000sec (TBD)	1/50 ~ 1/120,000sec (TBD)
Digital Zoom	Off / On (1x ~ 16x)	
Reverse	Off / H-Rev / V-Rev / HV-Rev	
Profile	Basic, Day & Night, Backlight, Indoor, User	
Intelligent Video Analytics	Fixed / Moved, Fence, Tracking, Detection, Counting, Tampering	
Alarm	1 Out	
Communication	Coaxial control (SPC-300 compatible)	
Protocol	Coax : Pelco-C (Coaxitron)	
<b>ENVIRONMENTAL</b>		
Operating Temperature / Humidity	-10°C ~ +55°C (+14°F ~ +131°F) / Less than 90% RH	
Ingress Protection	IP66 grade	
Vandal Resistance	IK10	
<b>ELECTRICAL</b>		
Input Voltage / Current	Dual (24V AC & 12V DC ±10%)	
Power Consumption	Max. 4W (TBD)	
<b>MECHANICAL</b>		
Color / Material	Ivory / Aluminum, Plastic (TBD)	
Dimensions (WxH)	Ø137.0 x 106.1mm (Ø5.39" x 4.18")	
Weight	713g (1.57 lb) (TBD)	