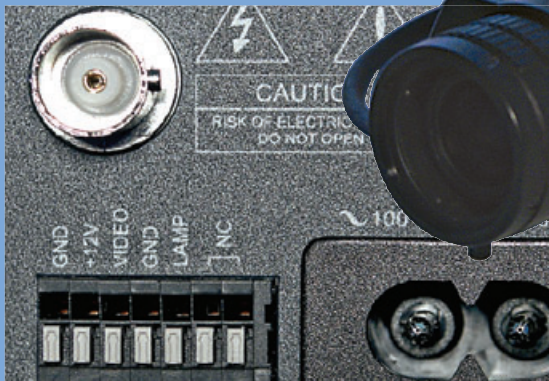


High resolution twin-mode camera
(switchable between day and night)

Product information



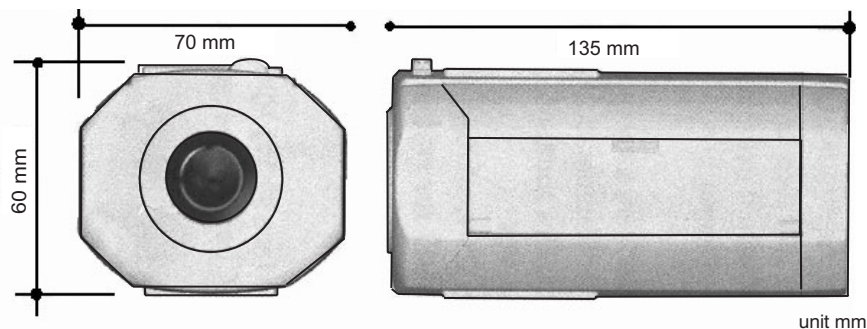
The GVK-410 camera provides sharp, high-contrast images round the clock. The integrated, mechanically pivoting infrared filter permits the camera to deliver impressive true-to-life colour images by day and clean, black-and-white infra-red images at night. Supported by parameterisable compensation for back-light and comprehensive facilities for adjustment, the camera provides perfect image quality at all times. All the settings can conveniently be made through screen menus (OSD). The GVK-410 is fitted with an isolated video output (protection class II), can be mounted quickly and efficiently, and offers an exceptional price/performance ratio.



- Day/Night camera with IR cut filter
- On screen menu for local set-up
- Automatic/manual shutter
- Mechanical IR cut filter operation via contact input or internal fuzzy logic control
- Excellent price/performance ratio
- Safety class II (potential free video output)

Technical data

Pick-up device (chip)	1/3"- Interline CCD sensor
Video standard	CCIR/PAL (composite video)
Scanning system	2:1 interlaced
Pixel (H x V)	752 x 582 (effective)
Resolution (in TV lines)	> 480 (H)
Minimum sensitivity	
Colour	0,8 Lux / F1,4 (50 IRE video output)
B/W	0,6 Lux/ F1,2 IR cut filter (50 IRE video output)
B/W	0,34 Lux / F 1,2 IR pass filter (50 IRE video output)
Synchronization	Internal / external (line lock)
Signal/Noise ratio	50 dB
White balance	Automatic / manual switching via on-screen menu (OSD)
Shutter	
Fix adjustments	Normal, 1/50, 1/120, 1/250, 1/500, 1/1000, 1/2000, 1/5000, 1/10000 sec.
Automatic	1/50 to 1/100000 sec. continuous
Colour / B/W switching	Internal via fuzzy logic or external via potential free contact
Backlight compensation	6 areas, selectable via on-screen menu (Full picture; centre 1, centre 2, gate 1, gate 2; upper half, lower half)
Automatic gain control (AGC)	Adjustable via on-screen menu (off; 18dB, 22 dB, 26 dB, 30 dB, 32 dB, 34dB, 36dB, sensitivity up)
Lens mount	Preset to C-mount (can be changed for CS mount lenses)
Lens connection	User selectable, DC lenses (AI-DC), video signal controlled lenses (AI), via standard 4 pin socket
Operating temperature range	- 10°C to + 50°C
Voltage supply	100 VAC – 240 VAC (protection class II)
Power consumption	Max. 3,6 W
Dimensions in mm (WxHxD)	70 x 60 x 135
Weight	Approx. 0,3 kg
Order number	5.04305
Accessories	
Shipment includes lens plug and lens connector	



Technical alterations reserved