

## GVK-340/WD

High-resolution wide dynamic range camera

### Product information

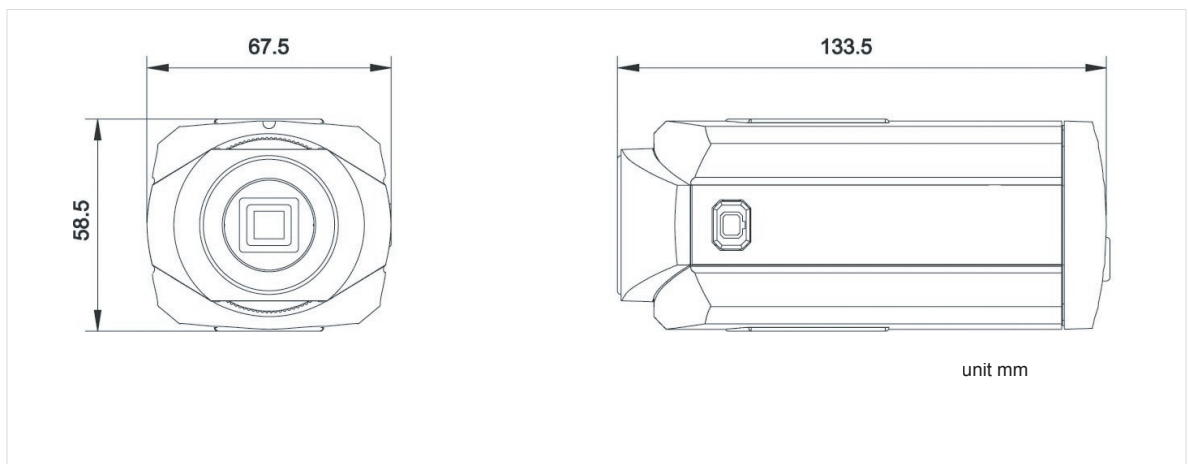


The camera model GVK-340/WD from GEUTEBRÜCK offers a very high dynamic range and produces high quality pictures even under problematic contrast or backlight conditions. Its main field of operation are logistic, bank or similar applications. The very good price/performance ratio in combination with the internal wide range power supply sets standards for many other possible applications.

- 1/3" High resolution Wide dynamic colour camera
- Very high dynamic range, especially for use at difficult lighting conditions
- Digital Signal Processing
- Integrated backlight compensation, switchable
- Chrome noise reduction at low light levels
- Selectable automatic gain control level
- Wide range power supply 110 - 240 VAC

## Technical data

Image sensor (Chip)	1/3" Interline CCD
Video standard	CCIR/PAL (composite)
Video output	Composite video: 1 Vpp, 75 Ohm (BNC)
Scanning system	2 : 1 interlace
Scanning frequency	15.625 kHz (H), 50 Hz (V)
Pixel (H x V)	752 x 582 (effective)
Horizontal resolution (Colour)	> 480 TV lines
Horizontal resolution (B/W)	> 500 TV lines (in chroma noise suppression mode)
Minimum sensitivity	0.6 lux / F1.2 (50 IRE)
Synchronization	Internal / External (line lock)
S/N ratio	50 dB
White balance	Automatic from 2,500 °K - 9,500 °K
Wide dynamic range	52 dB (On / Off)
Shutter	Automatic electronic (AES), 1/50 to 1/100000 s continuous
Back-light compensation	On / Off
Automatic gain control (AGC)	On / Off (AGC turbo + 36 dB)
Colour / B/W switching	Internal via fuzzy logic (CK - On)
Chroma noise suppression (CK)	On / Off
Lens mounting	CS-mount / C-mount (with C/CS-adapter)
Lens connection	DC lenses (AI-DC) and video signal controlled lenses (AI) (connection via standard 4-pin socket)
Operating temperature	- 10 °C to + 50 °C
Voltage supply	100 - 240 V AC ± 10 %, 50 Hz ± 10 %
Power consumption	Max. 4.2 W
Dimensions in mm (W x H x D)	67,5 x 58,5 x 133,5
Weight	Approx. 350 g
<b>Order No.</b>	<b>5.04430</b>



Technical alterations reserved