

GVK-230 and GVK-230/DC

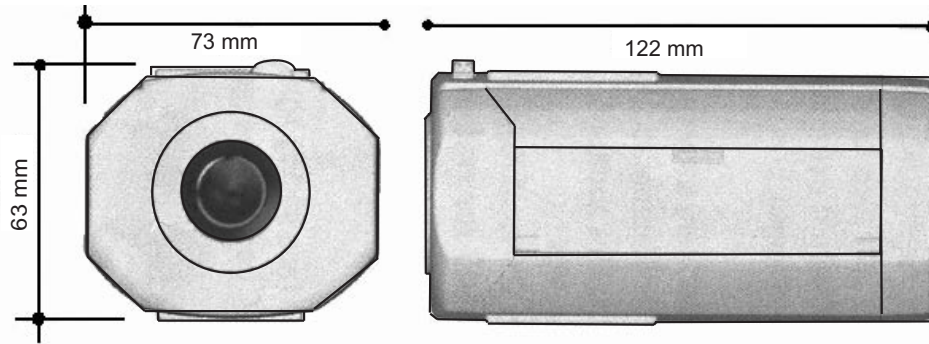
Versatile colour system cameras



Back view GVK-230/DC

- Remote set-up via RS-485
- Save all camera settings to file on PC
- Electronic masking function ESF (privacy masking)
- OSD menu for local set-up
- Fully integrated into GEUTEBRÜCK video management system GeViControl
- Excellent price/performance ratio

Dimensions



unit mm

Technical Data

	GVK 230	GVK 230/DC
	Colour system camera	
Picture storage (chip)	1/3"-Sony Exview HAD™	
Video standard	CCIR/PAL (composite video)	
Scanning system	2:1 interlaced	
Sensor pixels	752 x 582 (h x v, effective)	
Horizontal resolution	> 480TVL	
Minimum sensitivity (colour)	0.3 Lux/F1.2 (50IRE Video Output)	
Synchronization	Internal/external (gen. lock)	
Signal-to-noise ratio	50 dB	
White balance	Automatic/manual	
Shutter		
Pre-settable	Standard, 1/50, 1/120, 1/250, 1/500, 1/1000, 1/2000, 1/4000, 1/10000 sec.	
Automatic	1/50 to 1/100000 sec. continuous	
Control/set-up interface	RS-485, half duplex	
Electronic masking zones (privacy masking)	3 adjustable masking zones via on screen menu / RS 485 (software)	
Set-up parameter storage	Internal, non-volatile with upload/download to/from PC via RS-485 port	
Back-light compensation	6 areas, selectable via on screen menu/RS-485 (full picture; picture middle 1, picture middle 2, gate area 1, gate area 2; upper half, lower half)	
Automatic gain control (AGC)	6 steps, selectable via on screen menu/RS-485 (off; 18 dB, 22 dB, 26 dB, 30 dB, 32 dB, 34 dB, 36 dB, sensitivity up)	
Lens mounting	C/CS-Mount user-selectable	
Lens connection	User selectable, DC lenses (AI-DC), video signal controlled lenses (AI), via standard 4 pin socket.	
Operating temperature range	-10°C to +50°C	
Supply voltage	100VAC - 240VAC	10 VDC - 30VDC or 12AC - 29VAC
Protection class	class II	-
Power consumption	max. 3.6 W	
Dimensions	73 x 63 x 122 mm (w x h x d)	
Weight	approx. 0.3 kg	
Order number	5.04290	5.04291

Accessories

Shipment includes lens plug

Technical alterations reserved.

www.geutebrueck.de

GEUTEBRÜCK GmbH
 Im Nassen 7-9 · D-53578 Windhagen
 Tel. +49 (0)2645 137-0 · Fax-999 · E-mail: info@geutebrueck.de