

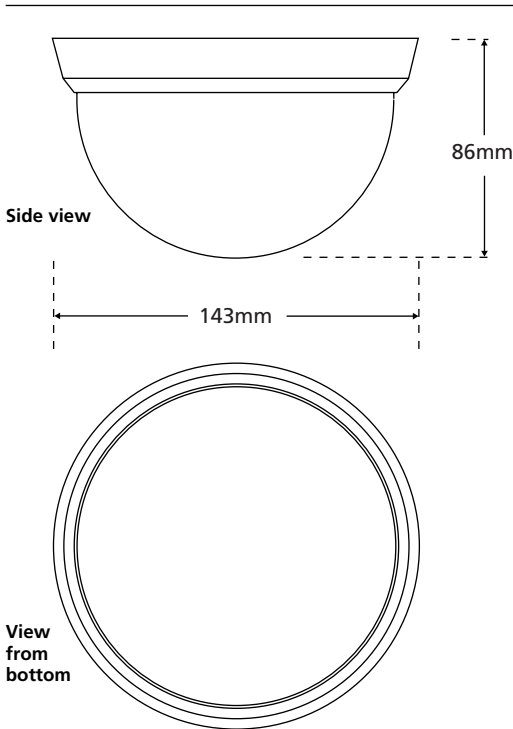


DISCREET CAMERA

MONOCHROME

DM-510

● Mini-dome high resolution monochrome camera



- Camera mounted on manually adjustable miniature 'swivel and tilt' cradle, for exact camera positioning
- Superb high definition picture quality
- Comes with black base plate and smoked dome. Also available with white base plate and clear dome
- Comes with free power supply
- Comes with free audio capability
- Comes with lint-free cleaning cloth to remove grease and dirt from case and lens

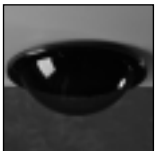
- 1/3" CCD
- 560 TV lines
- 0.2 lux sensitivity
- Supply voltage: 12 Vdc
- Audio output: 1V p-p

Lens options

Lens	Product Code
4.0mm	DM-510/A
2.5mm	DM-510/A/2.5
6.0mm	DM-510/A/6.0
8.0mm	DM-510/A/8.0
12.0mm	DM-510/A/12.0

All lens options are the same price

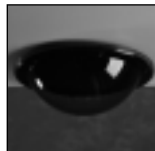
See Also:



DM-500/A
Vandal-resistant high-resolution dome camera



DM-710/A
High-resolution colour options



DM-304
Vandal-resistant multi-directional 4 camera dome

SPECIFICATION

	MOD-507 camera module
Image sensor	1/3" CCD sensor, 725 (H) x 582 (V) pixels
Horizontal resolution	560 TV lines or greater
Lens options	SEE TABLE
Electronic shutter	Automatic linear shutter
Sensitivity	0.2 lux
Video output	CCIR, 1Vp-p, 75 Ohms
Supply voltage	12 Vdc ± 10%
Working temperature	-10°C to +50°C

AUDIO

Microphone	Omni-directional electret
Audio output	1Vp-p, 600 Ohms
Audio bandwidth	100Hz - 10KHz, +/- 3dB

Specification and availability of products are subject to change without notice