

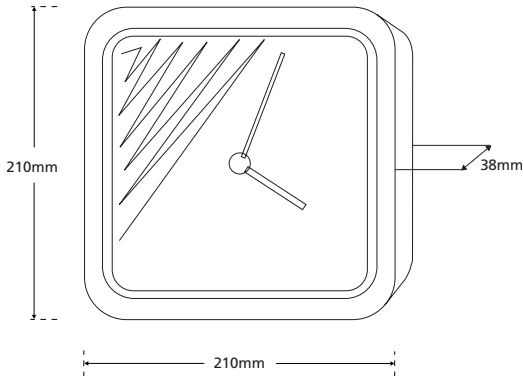


COVERT CAMERA

MONOCHROME

CL-350/PWA

● Office clock monochrome camera



- Undetectable pinhole camera enables completely covert surveillance
- Clock back-plate conceals camera whilst allowing easy battery replacement and time adjustment

- 1/3" CCD
- 380 TV lines
- 0.3 lux sensitivity
- Supply voltage: 12 Vdc
- Audio output: 1V p-p

Lens options	
Lens	Product Code
3.6mm pinhole	CL-350/PWA
5.5mm pinhole	CL-350/PWA/5.5

Both lens options are the same price

"This anonymous looking clock with no visible lens aperture will not arouse the slightest suspicion of being a camera"

PSI Magazine bench test - December 1995

See Also:



CL-650/PWA
Colour option



CL-340/PWA
Alternative style option



CL-310/WA
Standard lens monochrome traditional style clock

SPECIFICATION	
Image sensor	MOD-308/A/P camera module
Horizontal resolution	1/3" CCD sensor, 512 (H) x 582 (V) pixels
Lens options	380 TV lines or greater
Electronic shutter	SEE TABLE
Sensitivity	Automatic linear shutter
Video output	0.3 lux
Supply voltage	CCIR, 1Vp-p, 75 Ohms
Working temperature	12 Vdc ± 10%
	-18°C to +60°C
VIDEO	
Microphone	Omni-directional electret
Audio output	1Vp-p, 600 Ohms
Audio bandwidth	100Hz - 10KHz, +/- 3dB

Specification and availability of products are subject to change without notice