

Video Security

Cameras | Day/Night Cameras

CG-301PA1V

1/3" Day/Night Multifunction Camera with WDR, OSD, DSS, 12VDC/24VAC, 480TVL

Art-Nr. 92488



Lens is not included with the camera

Features

Wide Dynamic Range (WDR):60dB (Sony SSII Chip Set)
Switchable IR Cut Filter w. "Detect Time" Function
On-screen Menu Control / Camera Titel Display
Sensitivity of 0.025Lux at F1.2 (DSS/Colour)
Scene Select Function (Inside, Outside, Casino)
Back Light Compensation (BLC) / Zone Masking

High- und Low-Speed Shutter Control (ESC/DSS)
Auto Blemish Compensation (up to 10 Pixels)
2.5x Digital Zoom and Flickerless Function
Automatic White Balance with Hold Function (AWB)
External Day/Night Selection / RS-485 Interface
Supply Voltage 12VDC or 24VAC

Specifications

System	CCIR/PAL
Imager	1/3" Sony Progressive Scan Interline Transfer CCD
Active picture elements	Approx. 440,000, (H) 752 x (V) 582 pixels
Signal processing	DSP
Synchronization	Internal/Line lock (via OSD menu)
Sensitivity at 50% video signal	1.0Lux at F1.2 (Colour), 0.025Lux at DSS (Sens-up 40x integration and colour), 0.1Lux at F1.2 (B&W)
Horizontal resolution	480 TV lines (Color); 520 TV lines (B&W)
Signal-to-noise ratio	50dB (AGC OFF)
Gamma correction	0.45/0.6/1.0
OSD function control	OSD camera set-up, WDR, DSS, Day/Night, E-Zoom, BLC, AWB, WCCB, AGC Sync., Flickerless, Masking (Window blanking)
Set-up via on-screen menu	Camera adjustments: Address, Baud rate, LED/OSD ON/OFF
IR cut filter	Motorized, switchable filter. Automatic function depend on the amount of light. Automatic/manual selectable by OSD menu. In removed filter position, the colour signal will be switched off. Selectable time delay: 5Sec. or 30Sec., External B&W switching via RS-485 interface.

CG-301PA1V

(Specifications continued)

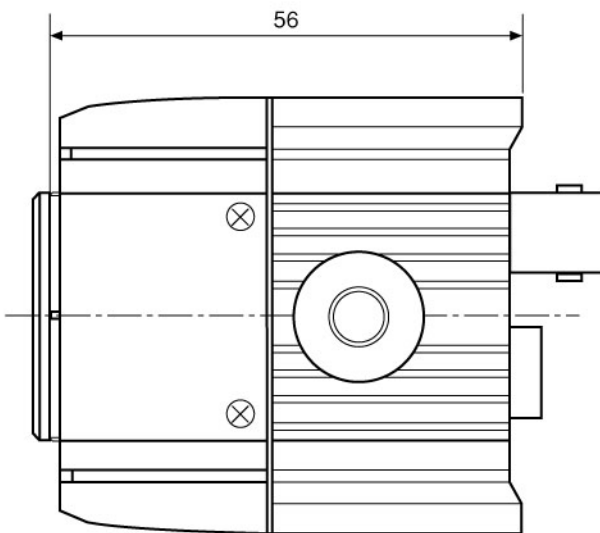
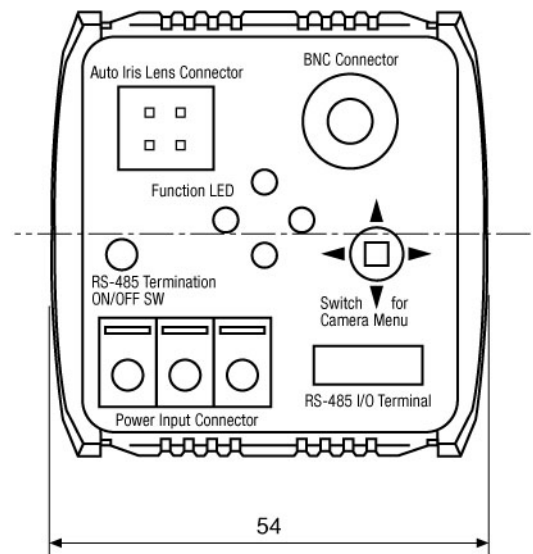
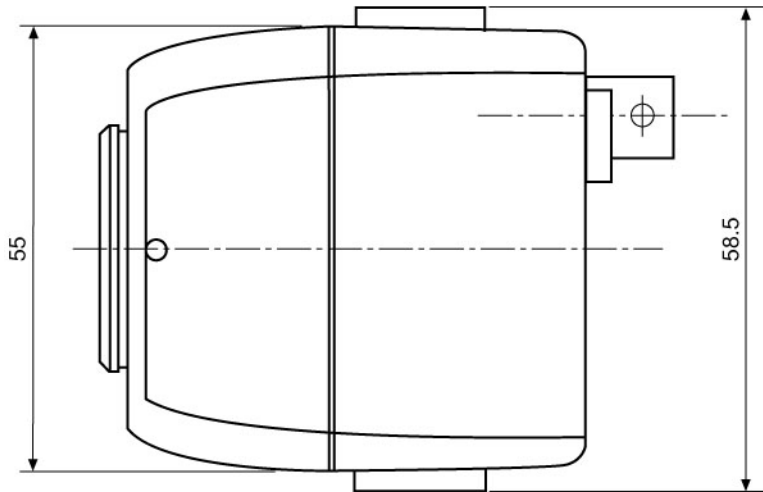
Digital Zoom	1.5, 2.0, 2.5x (selectable via OSD menu)
Automatic gain control (AGC)	ON/OFF switchable (via OSD menu)
Aperture Correction (APC)	Horizontal and vertical
Flickerless function	ON/OFF switchable (via OSD menu)
Dynamic range (WDR)	60dB
Complementary colour balance (WCCB)	Balances the difference of colour temperature between the high and low luminance area of the scene (ON/OFF switchable via OSD menu)
Blemish compensation	Automatic blemish detection and compensation (for up to 10 pixels)
Electronic shutter control (ESC)	1000:1
Integration rate	OFF, 4, 6, 8, 10, 20, 40 Fields
White balance (AWB)	Auto / Hold / Indoor (approx. 2800K), Outdoor (approx. 6000K), selectable via OSD menu
Backlight compensation (BLC)	ON/OFF switchable (via OSD menu)
Window blanking	Up to 8 masking areas
Camera title display	Textinsertion via OSD menu
External adjustments	Flange focus; 4 menu cursor buttons, RS-485 termination ON/OFF
Video output	1Vp-p, CVBS/VBS, 75ohms, BNC
External connections	DC Iris (4-pin), Video (BNC), Power input, RS-485 interface
Serial port	RS-485 (Pelco D protocol)
Lens mount	CS
Usable iris controls	Manual iris, DC controlled
Supply voltage	12VDC (+/-15%); 24VAC (+/-15%) 50/60Hz
Power consumption	Approx. 4.7watts at 12VDC; 6.5watts at 24VAC
Camera mount	1/4" - 20UNC thread on top and bottom
Temperature range	-10°C to +50°C
Colour	Similar to RAL7048
Dimensions (HxWxD)	See drawing
Weight	200g
Parts supplied	4-pin plug, Remote Administration Software CD, Manual

Accessories

70771 / WD-23	Wall Mount with Ball Joint,
70769 / WD-22	Wall Mount with Ball Joint,
70448 / VT-PS12DC-6	Plug-in Power Supply 100-240VAC/12VDC
77772 / VT-PS12DCDT	PSU 12VDC/0,5A, Desktop Version, 1.8m
43238 / F03Z2.710DC-NFS	F1.0/3-8mm DC Lens/var. Focal Length
43237 / F03Z04NDDC-NFS	F1.4/2.8-11mm DC Lens/var. Focal Length
45246 / YV5X2.7R4B-SA2L	F1.3/2.7-13.5mm DC Varifocal Lens,
47147 / F0312NDDC-NFS	F1.2/2.8mm DC Lens with No Focus Shift,
47148 / F0412NDDC-NFS	F1.2/4mm DC Lens with No Focus Shift,
47149 / F0612NDDC-NFS	F1.2/6mm DC Lens with No Focus Shift,

(Accessories continued)

47154 / F0812NDDC-NFS	F1.2/8mm DC Lens with No Focus Shift,
47156 / F0312M-NFS	F1.2/2.8mm Fixed Focal Length Lens
47157 / F0412M-NFS	F1.2/4mm Fixed Focal Length Lens
47158 / F0612M-NFS	F1.2/6mm Fixed Focal Length Lens
47159 / F0812M-NFS	F1.2/8mm Fixed Focal Length Lens
45251 / YV10X5R4A-SA2L	F1,6/5-50mm DC Varifocal Lens with
43239 / A10Z04NDDC-NFS	F1.4/10-40mm DC Lens/var. Focal Length



Maße/Dimensions: mm

VIDEOR TECHNICAL E. Hartig GmbH
 Carl-Zeiss-Straße 37 · 63322 Rödermark · Germany
 Telefon +49 (0) 60 74/8 88-0 · Telefax +49 (0) 60 74/8 88-100
 info@videortechnical.com · www.videortechnical.com

