



**For Security**  
**Vari-Focal**

Applicable camera (model)

# YV2.8×2.8LA-SA2

1	2/3	1/2	1/3	1/4
---	-----	-----	-----	-----

2.8×



\*Photograph is a similar model.

- Unparalleled brightness at the maximum aperture of F0.95, optimizing the performance at low lighting intensity.
- WIDE2.8mm, achieving the horizontal field angle of 99 degrees (when used on 1/3 cameras).
- Compact and lightweight design, best suited for the use with dome cameras.
- High accuracy aspheric lens adopted, achieving the high quality image.
- Built-in ND filter of T360, supporting high sensitivity cameras.

**VARI**  
Vari-Focal

**WIDE**  
Wide Angle

**DC**  
DC Auto Iris

**CS-mt**  
CS Mount

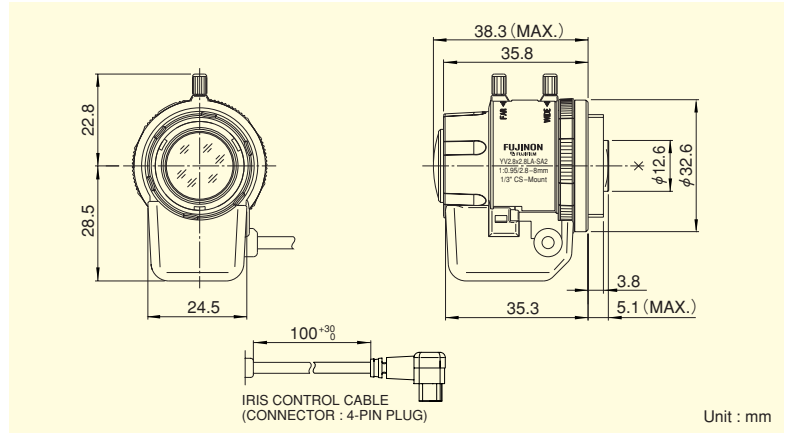
**METAL**  
Metal Mount

**ND**  
ND Filter

**230**  
Long Cable

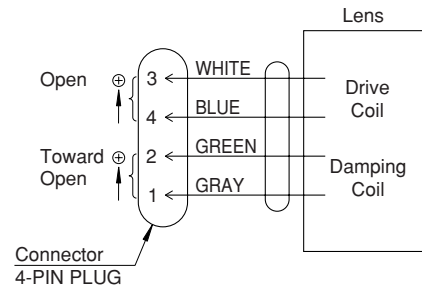
**AT**  
Aspherical Lens

**F0.95**  
Wide Aperture Rate



Focal Length (mm)		2.8~8 (2.8×	
Iris Range		F0.95 ~ T360 (Equivalent to F360)	
Operation	Zoom	Manual	
	Focus	Manual	
	Iris	Auto (DC Type) (*1)	
Angle Of View (H×V)	1/3"	WIDE	99°52' × 73°17'
		TELE	35°14' × 26°24'
	1/4"	WIDE	73°17' × 54°19'
		TELE	26°24' × 19°47'
Focusing Range (From Front Of The Lens) (m)		∞ ~ 0.3	
Object Dimensions at M.O.D. (H×V) (mm)	1/3"	WIDE	736 × 459
		TELE	196 × 145
	1/4"	WIDE	459 × 317
		TELE	145 × 108
Back Focal Distance (in air) (mm)		7.51	
Exit Pupil Position (From Image Plane) (mm)		91	
Filter Thread (mm)		—	
Mount		CS	
Mass (g)		45	
Coil Resistance		Drive Coil	190Ω
		Damping Coil	500Ω
Current Consumption		23mA (Max.) at DC 4V	
Remarks	• With Metal Mount (*1) When power is turned off, iris will automatically close. YV2.8×2.8LA-SA2L : Long Cable Type (230mm)		

## Wiring



[Lens Image]

2.8mm



8mm



VARI-FOCAL LENSES