



For Security
Day & Night

Applicable camera (model)

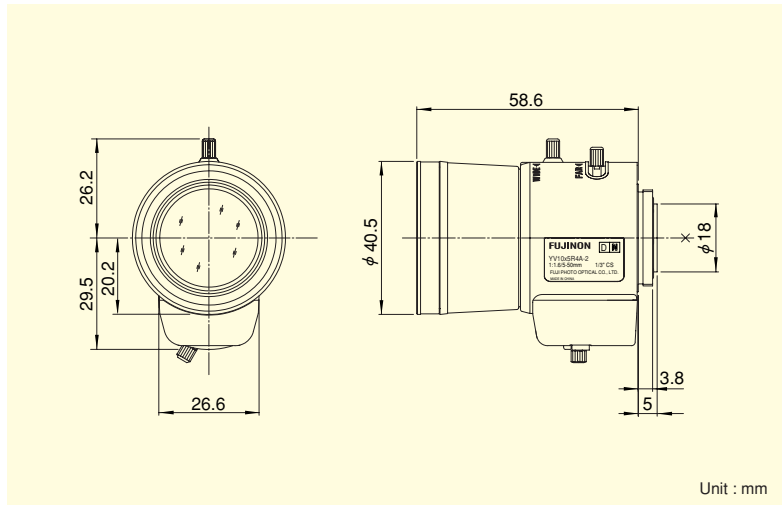
YV10×5R4A-2

1	2/3	1/2	1/3	1/4
---	-----	-----	-----	-----

10×



VARI Vari-Focal	WIDE Wide Angle	TELE Telephoto Long Focal	Day~Night Day & Night	MANUAL Manual Iris	CS-mt CS Mount	METAL Metal Mount
					AT Aspherical Lens	F1.6 Wide Aperture Rate



- Advanced design engineering and special optic glass adopted, best suited for color, monochrome and day and night cameras
- Wide range of f5-50mm, supporting various applications
- Wide aperture of F1.6, optimizing the performance at low lighting intensity
- High accuracy aspheric lens adopted, achieving the high quality image

DAY & NIGHT LENSES

Fixed Focal (mm)		5~50 (10×)	
Iris Range		F1.6 ~ Close	
Operation	Zoom	Manual	
	Focus	Manual	
	Iris	Manual	
Angle Of View (H×V)	1/3"	WIDE	51°17' × 39°36'
		TELE	5°30' × 4°07'
	1/4"	WIDE	39°36' × 30°13'
		TELE	4°07' × 3°06'
Focusing Range (From Front Of The Lens) (m)		∞ ~ 0.3	
Object Dimensions at M.O.D. (H×V) (mm)	1/3"	WIDE	304 × 228
		TELE	54 × 41
	1/4"	WIDE	228 × 171
		TELE	41 × 31
Back Focal Distance (in air) (mm)		7.52	
Exit Pupil Position (From Image Plane) (mm)		-43	
Filter Thread (mm)		—	
Mount		CS	
Mass (g)		80	
Remarks		•Metal Mount	