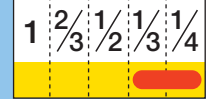




For Security
Fixed Focal

Applicable camera (model)

YF2.8A-SA2B



FIXED
Fixed Focal

WIDE
Wide Angle

DC
DC Auto Iris

CS-mt
CS Mount

ND
ND Filter

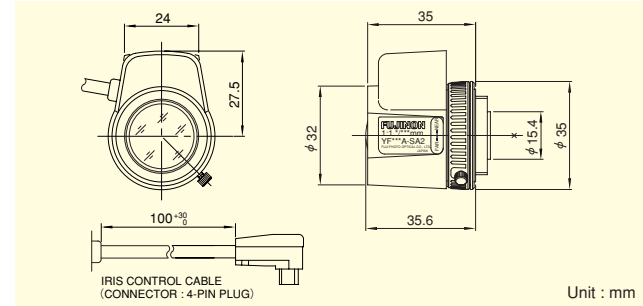
230
Long Cable

F1.3
Wide Aperture Rate



*Photograph is a similar model.

- Super wide angle lens with the horizontal field angle of 96 degrees or more (when used on 1/3" cameras)
- Built-in ND filter of T360, supporting super sensitive cameras
- Wide aperture of F1.3, optimizing the performance at low lighting intensity



Focal Length (mm)		2.8
Iris Range		F1.3 ~ T360 (Equivalent to F360)
Operation	Focus	Manual
	Iris	Auto (DC Type) (*1)
Angle Of View (H×V)	1/3"	96°15' × 71°51'
	1/4"	71°51' × 53°45'
Focusing Range (From Front Of The Lens) (m)		∞ ~ 0.1
Object Dimensions at M.O.D. (H×V) (mm)	1/3"	241 × 157
	1/4"	157 × 110
Back Focal Distance (in air) (mm)		8.11
Exit Pupil Position (From Image Plane) (mm)		166
Filter Thread (mm)		—
Mount		CS
Mass (g)		50
Coil Resistance		Drive Coil 200Ω Damping Coil 600Ω
Current Consumption		22mA (Max.) at DC 4V

Remarks

(*1) When power is turned off, iris will automatically be closed.
YF2.8A-SA2LB:Long Cable Type (230mm)

