



**For Security
Zoom**

Applicable camera (model)

S17×6.6DA-R11

1	2/3	1/2	1/3	1/4

17×

New!

ZOOM
Zoom

WIDE
Wide Angle

TELE
Telephoto
Long Focal

MOTOR DRIVE
Motor Drive

3CCD
For 3CCD Camera

VIDEO
Video Auto Iris

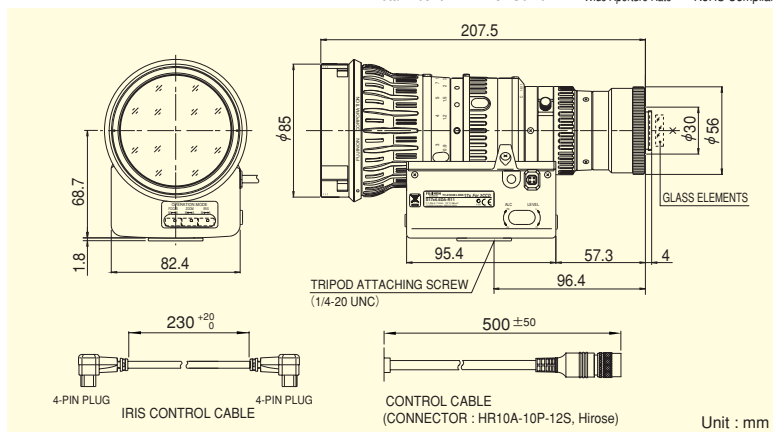
C-mt
C Mount

METAL
Metal Mount

SERVO
Full Servo

F1.5
Wide Aperture Rate

RoHS
RoHS Compliant



- High-accuracy servo control, best suited for high grade surveillance systems.
- High magnification zoom lens, covering wide angle and telephoto.
- Special design, fully exploiting high image-quality 3CCD camera performance.

ZOOM LENSES

Focal Length (mm)		6.6~114 (17×)	
Iris Range		F1.5 ~ F16	
Operation	Zoom	Servo Control	
	Focus	Servo Control	
	Iris	Auto (Video Type) or Servo Control	
Angle Of View (H×V)	1/2"	WIDE	51° 70' × 40° 00'
		TELE	3° 30' × 2° 50'
Focusing Range (From Front Of The Lens) (m)		∞ ~ 0.9	
Object Dimensions at M.O.D. (H×V) (mm)	1/2"	WIDE	808 × 606
		TELE	48 × 36
Back Focal Distance (in air) (mm)		14.82	
Exit Pupil Position (From Image Plane) (mm)		154	
Filter Thread (mm)		M82 × 0.75	
Mount		C	
Mass (kg)		1.45	
Standard Accessories		Iris Control Cable	
Remarks		<ul style="list-style-type: none"> • With Metal Mount • Zoom/Focus/Iris can be operated manually <p>* Please refer to SYSTEM CHART (E-11)</p>	

Wiring

