



**For Security  
Zoom**

Applicable camera (model)

# H16×10A-M41

1	2/3	1/2	1/3	1/4
---	-----	-----	-----	-----

**ZOOM**  
Zoom

**WIDE**  
Wide Angle

**TELE**  
Telephoto  
Long Focal

**MOTOR DRIVE**  
Motor Drive

**REMOTE**  
Remote Iris

**C-mt**  
C Mount

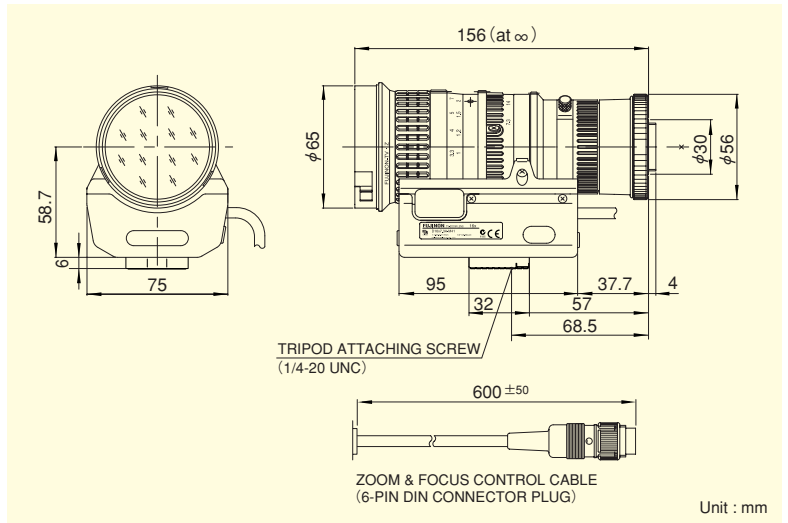
**METAL**  
Metal Mount

**16×**



※Photograph is a similar model.

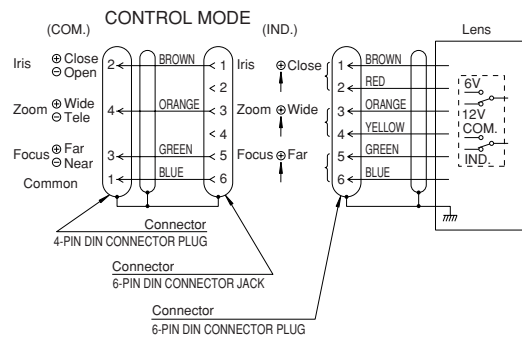
- High-powered zoom lens covering wide angle and telephoto
- Multiple power supply (6V, ±6V, 12V, ±12V) supported, enabling the use of existing control systems



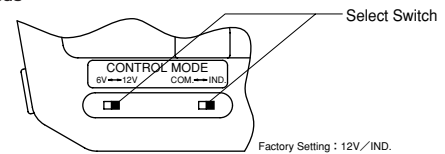
ZOOM LENSES

Focal Length (mm)		10~160 (16×)	
Iris Range		F2.5 ~ F22 · Close	
Operation	Zoom	Motor Drive	
	Focus	Motor Drive	
	Iris	Motor Drive	
Angle Of View (H×V)	2/3"	WIDE	47°30' × 36°32'
		TELE	3°09' × 2°22'
	1/2"	WIDE	35°29' × 26°59'
		TELE	2°17' × 1°43'
	1/3"	WIDE	26°59' × 20°24'
		TELE	1°43' × 1°17'
Focusing Range (From Front Of The Lens) (m)		∞ ~ 1	
Object Dimensions at M.O.D. (H×V) (mm)	2/3"	WIDE	862 × 620
		TELE	51 × 39
	1/2"	WIDE	627 × 470
		TELE	39 × 29
1/3"	WIDE	470 × 353	
	TELE	29 × 22	
Back Focal Distance (in air) (mm)		14.77	
Exit Pupil Position (From Image Plane) (mm)		186	
Filter Thread (mm)		M62 × 0.75	
Mount		C	
Mass (g)		900	
Standard Accessories		Conversion Cable (6-pin→4-pin) Connection Connector (4-pin, 6-pin)	
Remarks		• With Metal Mount	

## Wiring



## Control Mode



Controller output	Select switch position	Conversion cable (Standard accessory)
6V	6V / IND.	Not necessary
±6V	6V / COM.	Necessary
12V	12V / IND.	Not necessary
±12V	12V / COM.	Necessary

## Accessories

### Extender

Product Name	Magnification
HE15-1	1.5X
HE20-1	2X

### Control Unit

Product Name	CRD-2A	CRD-2B
Operation	Zoom, Focus, Iris	
Power Source	AC 100V/120V/220V/240V 50/60Hz	

### AC Power Cord

Japan	PCA-1
U.S.A./Canada	PCA-2
Continental Europe	PCA-3
Australia	PCA-4
Without AC Plug	PCA-5

### Extension Cable

CRD-2A	CEC-AA102-11 (10m)	CEC-AA202-11 (20m)
CRD-2B	CEC-AB102-11 (10m)	CEC-AB202-11 (20m)