



**For Security**  
**Vari-Focal**

# DV10×7B-2

Applicable camera (model)

1	2/3	1/2	1/3	1/4
---	-----	-----	-----	-----

**VARI**  
Vari-Focal

**WIDE**  
Wide Angle

**TELE**  
Telephoto  
Long Focal

**MANUAL**  
Manual Iris

**CS-mt**  
CS Mount

**METAL**  
Metal Mount

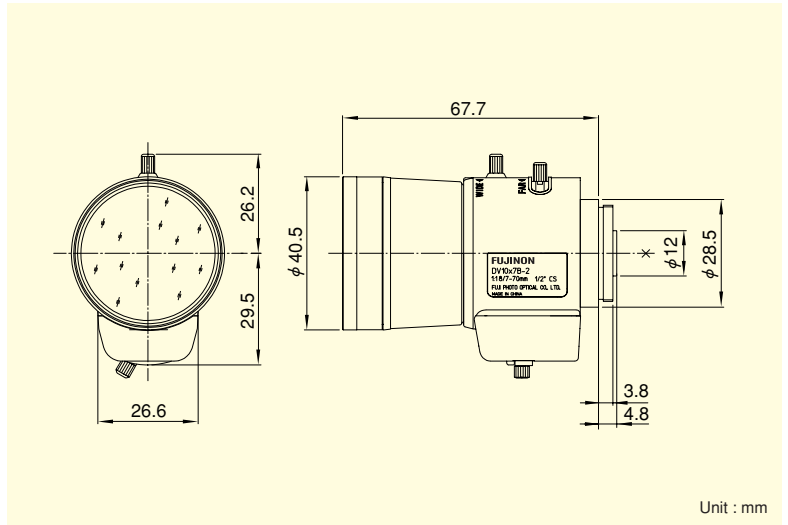
**AT**  
Aspherical Lens

10×



※ Photograph is a similar model.

- Compatible with a wide range - 1/2", 1/3" and 1/4" - cameras
- Wide range of f7-70mm, supporting various applications
- High accuracy aspheric lens adopted, achieving the high quality image



Unit : mm

Focal Length (mm)		7~70 (10×)	
Iris Range		F1.8 ~ Close	
Operation	Zoom	Manual	
	Focus	Manual	
	Iris	Manual	
Angle Of View (H×V)	1/2"	WIDE	50°01' × 38°12'
		TELE	5°12' × 3°59'
	1/3"	WIDE	38°12' × 28°56'
		TELE	3°59' × 3°02'
	1/4"	WIDE	28°56' × 21°49'
		TELE	3°02' × 2°17'
Focusing Range (From Front Of The Lens) (m)		∞ ~ 0.3	
Object Dimensions at M.O.D. (H×V) (mm)	1/2"	WIDE	301 × 223
		TELE	60 × 46
	1/3"	WIDE	223 × 166
		TELE	46 × 35
	1/4"	WIDE	166 × 124
		TELE	35 × 26
Back Focal Distance (in air) (mm)		7.9	
Exit Pupil Position (From Image Plane) (mm)		-62	
Filter Thread (mm)		—	
Mount		CS	
Mass (g)		95	
Remarks		•Metal Mount	