



**For Security
Zoom**

Applicable camera (model)

D8x7.8A-V42

1	2/3	1/2	1/3	1/4
---	-----	-----	-----	-----

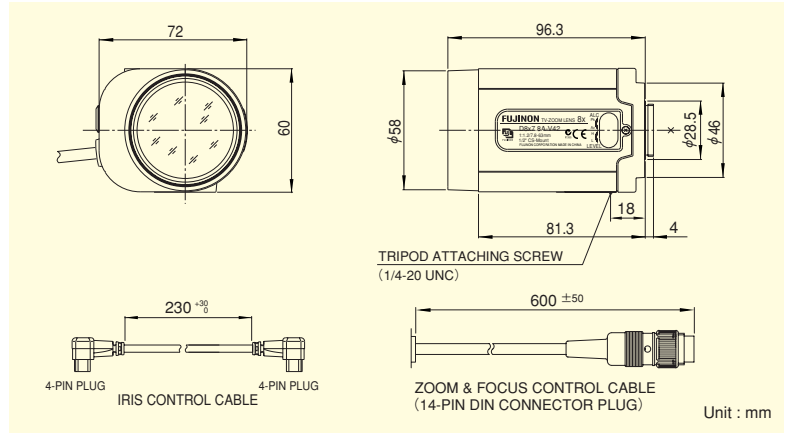
8x



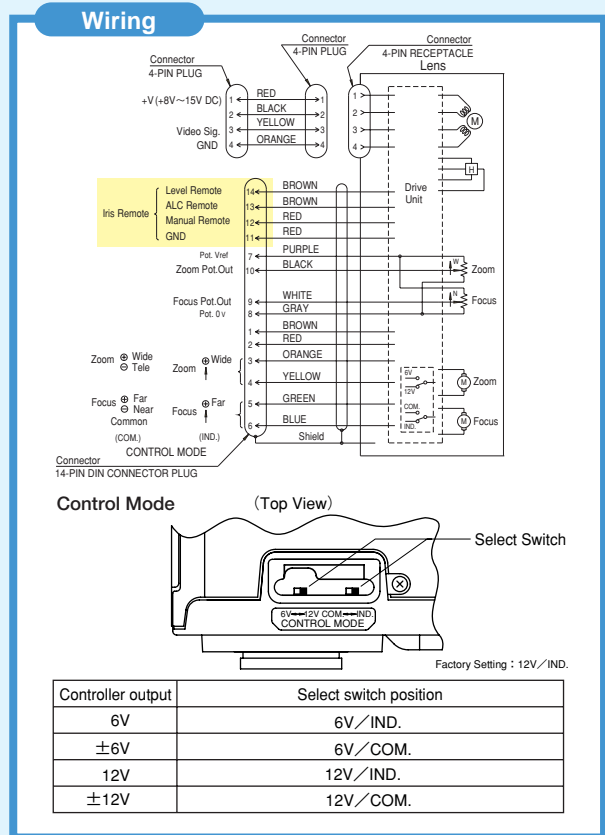
*Photograph is a similar model.

- Standard zoom lens with excellent cost performance.
- Wide aperture of F1.2, providing optimal performance under low light intensity.
- Compact and lightweight design, allowing easy storage into small housings.
- Built-in ND filter of T400, providing support for high sensitivity cameras.
- Multi power compatibility (6V, ±6V, 12V, ±12V), for use with existing control systems.
- Auto iris is remotely operable, allowing light intensity to be fine adjusted according to the monitoring target.

ZOOM Zoom	WIDE Wide Angle	MOTOR DRIVE Motor Drive	VIDEO Video Auto Iris	IRIS-REMOTE Iris Remote	CS-mt CS Mount	METAL Metal Mount
PRESET Potentiometer	N D ND Filter	F1.2 Wide Aperture Rate				



Focal Length (mm)		7.8~63 (8x)	
Iris Range		F1.2 ~ T400 (Equivalent to F400)	
Operation	Zoom	Motor Drive	
	Focus	Motor Drive	
	Iris	Auto (Video Type) or Remote (*1)	
Angle Of View (H×V)	1/2"	WIDE	44°37' × 34°12'
		TELE	5°49' × 4°22'
	1/3"	WIDE	34°12' × 25°59'
		TELE	4°22' × 3°16'
	1/4"	WIDE	25°59' × 19°38'
		TELE	3°16' × 2°27'
Focusing Range (From Front Of The Lens) (m)		∞ ~ 1.2	
Object Dimensions at M.O.D. (H×V) (mm)	1/2"	WIDE	944 × 708
		TELE	117 × 88
	1/3"	WIDE	708 × 531
		TELE	88 × 66
	1/4"	WIDE	531 × 398
		TELE	66 × 49
Back Focal Distance (in air) (mm)		14.00	
Exit Pupil Position (From Image Plane) (mm)		-55	
Filter Thread (mm)		M55 × 0.75	
Mount		CS	
Mass (g)		400	
Standard Accessories		Iris Control Cable Connection Connector (14-pin)	
Remarks		<ul style="list-style-type: none"> • With Metal Mount (*1) When power is turned off, iris will automatically close. 	



ZOOM LENSES

Accessories

Close-up Lens

Product Name		CL3355 (M55×0.75mm fc=333mm)	CL10055 (M55×0.75mm fc=1000mm)
Imaging Area (mm)		333~261	1000~545
Object Dimensions (mm)	1/2"	WIDE	205×153
		TELE	25×19
	1/3"	WIDE	153×115
		TELE	19×14
	1/4"	WIDE	115×86
		TELE	14×11