



**For Security
Zoom**

Applicable camera (model)

D8x7.8A-SE2

1	2/3	1/2	1/3	1/4
---	-----	-----	-----	-----

8x



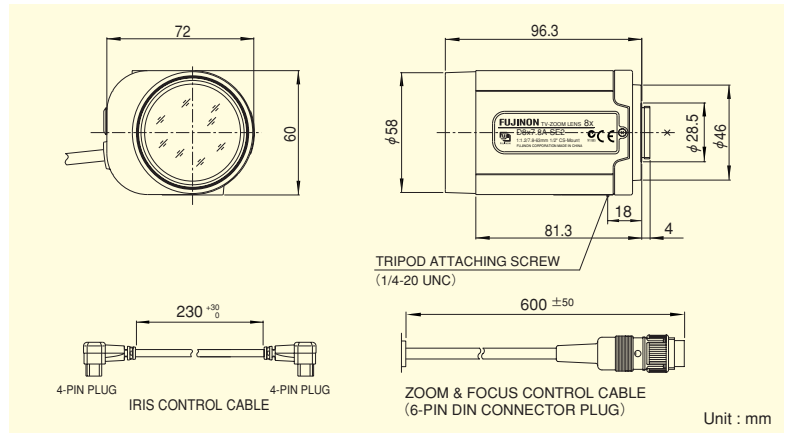
*Photograph is a similar model.

- Standard zoom lens with excellent cost performance.
- Wide aperture of F1.2, providing optimal performance under low light intensity.
- Compact and lightweight design, allowing easy storage into small housings.
- Built-in ND filter of T400, providing support for high sensitivity cameras.
- Multi power compatibility (6V, ±6V, 12V, ±12V), for use with existing control systems.

ZOOM Zoom
 WIDE Wide Angle
 MOTOR DRIVE Motor Drive
 DC DC Auto Iris
 CS-mt CS Mount
 METAL Metal Mount
 ND ND Filter

F1.2

Wide Aperture Rate



Focal Length (mm)		7.8~63 (8x)	
Iris Range		F1.2 ~ T400 (Equivalent to F400)	
Operation	Zoom	Motor Drive	
	Focus	Motor Drive	
	Iris	Auto (DC Type) (*1)	
Angle Of View (H×V)	1/2"	WIDE	44°37' × 34°12'
		TELE	5°49' × 4°22'
	1/3"	WIDE	34°12' × 25°59'
		TELE	4°22' × 3°16'
	1/4"	WIDE	25°59' × 19°38'
		TELE	3°16' × 2°27'
Focusing Range (From Front Of The Lens) (m)		∞ ~ 1.2	
Object Dimensions at M.O.D. (H×V) (mm)	1/2"	WIDE	944 × 708
		TELE	117 × 88
	1/3"	WIDE	708 × 531
		TELE	88 × 66
	1/4"	WIDE	531 × 398
		TELE	66 × 49
Back Focal Distance (in air) (mm)		14.00	
Exit Pupil Position (From Image Plane) (mm)		-55	
Filter Thread (mm)		M55 × 0.75	
Mount		CS	
Mass (g)		400	
Coil Resistance		Drive Coil	200Ω
		Damping Coil	700Ω
Current Consumption		22mA (Max.) at DC 4V	
Standard Accessories		Iris Control Cable Conversion Cable (6-pin→4-pin) Connection Connector (4-pin, 6-pin)	
Remarks		• With Metal Mount (*1) When power is turned off, iris will automatically close.	

Wiring

Connector 4-PIN PLUG, Connector 4-PIN RECEPTACLE Lens, Drive Coil Open, Damp. Coil Toward Open, Connector 4-PIN PLUG, (COM.) CONTROL MODE, (IND.) CONTROL MODE, Zoom Wide Tele, Focus Far Near Common, Connector 4-PIN DIN CONNECTOR PLUG, Connector 6-PIN DIN CONNECTOR JACK, Connector 6-PIN DIN CONNECTOR PLUG, Noise Filter Unit, 6V, 12V, COM, IND, Zoom, Focus, Select Switch, Factory Setting : 12V/IND.

Controller output	Select switch position	Conversion cable (Standard accessory)
6V	6V/IND.	Not necessary
±6V	6V/COM.	Necessary
12V	12V/IND.	Not necessary
±12V	12V/COM.	Necessary

ZOOM LENSES

Accessories

Close-up Lens

Product Name		CL3355 (M55×0.75mm fc=333mm)	CL10055 (M55×0.75mm fc=1000mm)
Imaging Area (mm)		333~261	1000~545
Object Dimensions (mm)	1/2"	WIDE	205×153
		TELE	25×19
	1/3"	WIDE	153×115
		TELE	19×14
	1/4"	WIDE	115×86
		TELE	14×11