



For Surveillance Telephoto Zoom

Applicable camera (model)

1	2/3	1/2	1/3	1/4
---	-----	-----	-----	-----

C55x13.5R3J-ESF

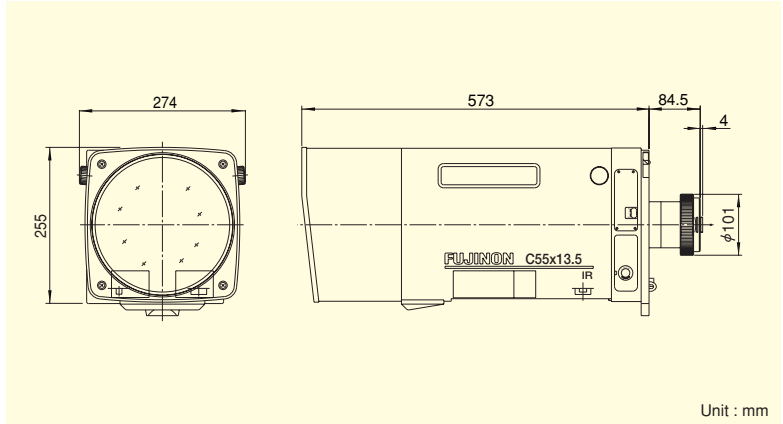
55x



*Photograph is a similar model.

- 55x telephoto zoom lens with near-infrared wavelength selection mechanism. With the excellent brightness of F2.1, best suited for day and night cameras.
- Equipped with the visible/IR cut filter switch mechanism.
- Achieved telephoto at the field angle of 0°15', best suited for long-distance monitoring such as disaster prevention (when used on 1/2" cameras).
- Compatible with a wide range - 1", 2/3" and 1/2" - cameras.

ZOOM Zoom	WIDE Wide Angle	TELE Telephoto Long Focal	MOTOR DRIVE Motor Drive	Day~Night Day & Night	VIDEO Video Auto Iris	C-mt C Mount
METAL Metal Mount	SERVO Full Servo	ND ND Filter	2x Extender	F2.1 Wide Aperture Rate		



		1x		2x	
Focal Length (mm)		13.5~750 (55x)		27~1500 (55x)	
Iris Range		F2.1 ~ T1500 (Equivalent to F1500)		F4.2 ~ T3000 (Equivalent to F3000)	
Operation	Zoom	Servo Control			
	Focus	Servo Control			
	Iris	Auto (Video Type) or Servo Control			
Angle Of View (HxV)	1"	WIDE	50°44' X 39°09'	26°40' X 20°10'	
		TELE	0°59' X 0°44'	0°29' X 0°22'	
	2/3"	WIDE	36°06' X 27°28'	18°31' X 13°56'	
		TELE	0°40' X 0°30'	0°20' X 0°15'	
	1/2"	WIDE	26°40' X 20°10'	13°31' X 10°10'	
		TELE	0°29' X 0°22'	0°15' X 0°11'	
Focusing Range (From Front Of The Lens) (m)		∞ ~ 2.4		∞ ~ 2.4	
Object Dimensions at M.O.D. (HxV) (mm)	1"	WIDE	2075 X 1556	1038 X 778	
		TELE	38 X 28	19 X 14	
	2/3"	WIDE	1427 X 1070	713 X 535	
		TELE	26 X 19	13 X 10	
	1/2"	WIDE	1038 X 778	519 X 389	
		TELE	19 X 14	9 X 7	
Back Focal Distance (in air) (mm)		25.01		25.01	
Exit Pupil Position (From Image Plane) (mm)		-245		-141	
Mount		C			
Extender		2x			
Mass (kg)		21			
Control Unit		CRD-40 (Option)			

Remarks

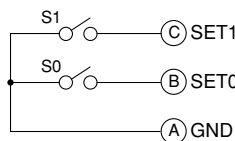
•With Metal Mount

[Electrical Specification] Power Supply : DC 12V (DC 11~16V) Current Consumption : 2.1A (Max.)

	Zoom	Focus	Iris	Extender
CONTROL SIGNAL	TELE : 2.5V WIDE : 7.5V	NEAR : 2.5V FAR : 7.5V	AUTO / VIDEO (1Vp-p) / REMOTE / OPEN:7V, CLOSE:2V	1x : ∞ 2x : +V
Current Consumption	670mA (Max.)	670mA (Max.)	100mA (Max.)	200mA (Max.)
OPERATING TIME	1s. (Max.)	1s. (Max.)	1s. (Max.)	1s. (Max.)

•Also available:
C55X20R3J-ESF

Near-infrared wavelength selected



		S0	S1
Near-infrared light	Visible light	OFF	OFF
	850nm	ON	OFF
	880nm	OFF	ON
	950nm	ON	ON

Accessories

- Stabilize Adapter
TS-C11