



# For Surveillance Telephoto Zoom

Applicable camera (model)

1	2/3	1/2	1/3	1/4
---	-----	-----	-----	-----

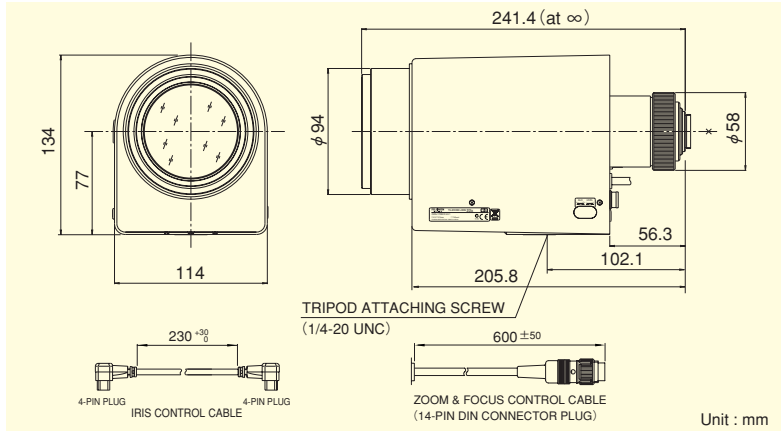
22×



\*Photograph is a similar model.

- Zoom lens with near-infrared wavelength selection mechanism, best suited for day and night cameras.
- Achieved telephoto at the field angle of 0°59', best suited for long-distance monitoring such as disaster prevention (when used on 1/2" cameras).
- Compact and lightweight design, allowing compact systems to be easily established.
- Multi power compatibility (6V, ±6V, 12V, ±12V), for use with existing control systems.
- Special built-in ND filter of T3000, providing support for ultra sensitive cameras.
- Auto iris is remotely operable, allowing light intensity to be fine adjusted according to the monitoring target.
- Supports 1" photomultiplier tube cameras.

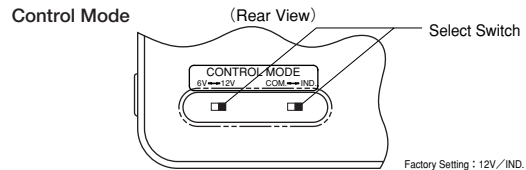
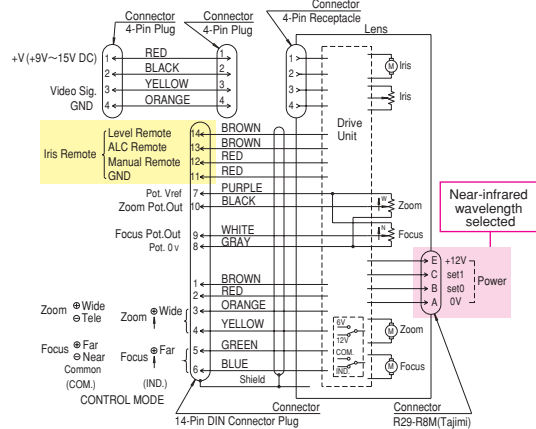
<b>ZOOM</b> Zoom	<b>WIDE</b> Wide Angle	<b>TELE</b> Telephoto Long Focal	<b>MOTOR DRIVE</b> Motor Drive	<b>Day~Night</b> Day & Night	<b>VIDEO</b> Video Auto Iris	<b>IRIS-REMOTE</b> Iris Remote
<b>C-mt</b> C Mount	<b>METAL</b> Metal Mount	<b>PRESET</b> Potentio Meter	<b>N D</b> ND Filter			



TELEPHOTO ZOOM LENSES

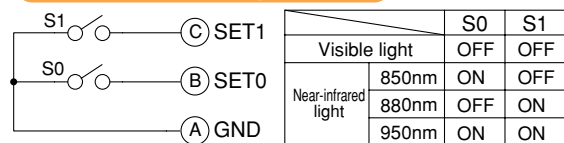
Focal Length (mm)		17~374 (22×)	
Iris Range		F2.3 ~ T3000 (Equivalent to F3000)	
Operation	Zoom	Motor Drive	
	Focus	Motor Drive	
	Iris	Auto (Video Type) or Remote (*1)	
Angle Of View (H×V)	1型	WIDE	41°16' × 31°32'
		TELE	1°58' × 1°28'
	2/3型	WIDE	29°01' × 21°58'
		TELE	1°21' × 1°01'
	1/2型	WIDE	21°19' × 16°04'
		TELE	0°59' × 0°44'
	1/3型	WIDE	16°04' × 12°05'
		TELE	0°44' × 0°33'
Focusing Range (From Front Of The Lens) (m)		∞ ~ 3	
Object Dimensions at M.O.D. (H×V) (mm)	1型	WIDE	2178 × 1633
		TELE	99 × 74
	2/3型	WIDE	1497 × 1123
		TELE	68 × 51
	1/2型	WIDE	1089 × 817
		TELE	50 × 37
	1/3型	WIDE	817 × 613
		TELE	37 × 28
Back Focal Distance (in air) (mm)		67.38	
Exit Pupil Position (From Image Plane) (mm)		-127	
Filter Thread (mm)		M82 × 0.75	
Mount		C	
Mass (kg)		2.3	
Standard Accessories		Iris Control Cable Connection Connector (14-pin, 8-pin)	
Remarks		• With Metal Mount (*1) For Iris remote function please refer to page (K-1)	

## Wiring



Controller output	Select switch position
6V	6V/IND.
±6V	6V/COM.
12V	12V/IND.
±12V	12V/COM.

## Near-infrared wavelength selected



## Accessories

### Extender

Model	Magnification
HE15-1	1.5×
HE20-1	2×