



For Surveillance Telephoto Zoom

Applicable camera (model)

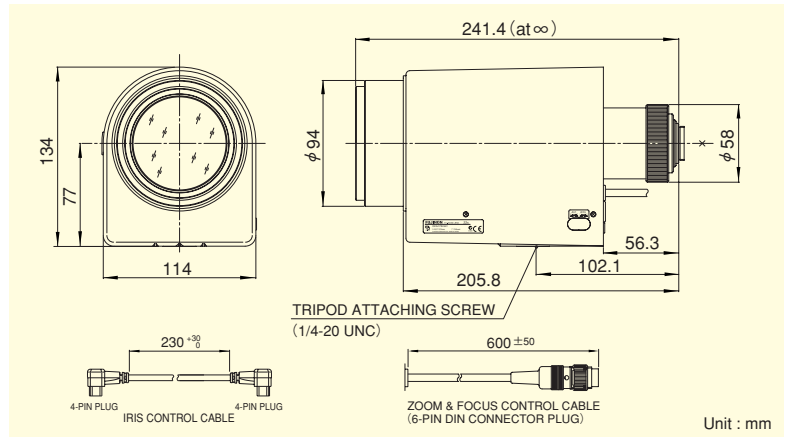
1	2/3	1/2	1/3	1/4
---	-----	-----	-----	-----

22×



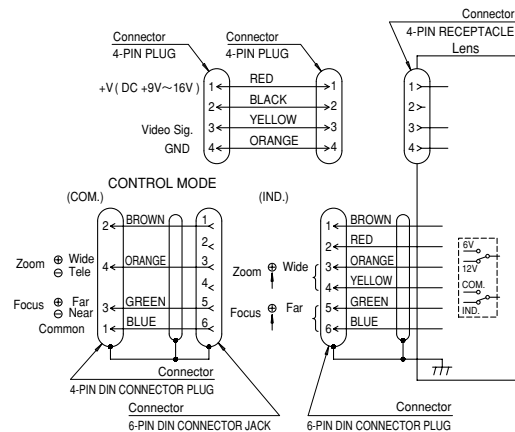
ZOOM Zoom
 WIDE Wide Angle
 TELE Telephoto Long Focal
 MOTOR DRIVE Motor Drive
 VIDEO Video Auto Iris
 C-mt C Mount
 METAL Metal Mount
ND ND Filter

- Achieved super telephoto at the field angle of 0°59', best suited for long-distance monitoring such as disaster prevention (when used on 1/2" cameras).
- Multi power compatibility (6V, ±6V, 12V, ±12V), for use with existing control systems.
- Compatible with a wide range - 1", 2/3", 1/2" and 1/3" - cameras.
- Built-in ND filter of T3000, supporting high sensitivity cameras.

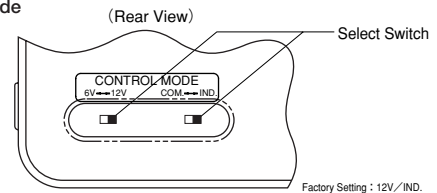


Focal Length (mm)		17~374 (22×)	
Iris Range		F2.3 ~ T3000 (Equivalent to F3000)	
Operation	Zoom	Motor Drive	
	Focus	Motor Drive	
Angle Of View (H×V)	1"	WIDE	41°16' × 31°32'
		TELE	1°58' × 1°28'
	2/3"	WIDE	29°01' × 21°58'
		TELE	1°21' × 1°01'
	1/2"	WIDE	21°19' × 16°04'
		TELE	0°59' × 0°44'
	1/3"	WIDE	16°04' × 12°05'
		TELE	0°44' × 0°33'
Focusing Range (From Front Of The Lens) (m)		∞ ~ 3	
Object Dimensions at M.O.D. (H×V) (mm)	1"	WIDE	2178 × 1633
		TELE	99 × 74
	2/3"	WIDE	1497 × 1123
		TELE	68 × 51
	1/2"	WIDE	1089 × 817
		TELE	50 × 37
	1/3"	WIDE	817 × 613
		TELE	37 × 28
Back Focal Distance (in air) (mm)		67.38	
Exit Pupil Position (From Image Plane) (mm)		-127	
Filter Thread (mm)		M82 × 0.75	
Mount		C	
Mass (kg)		2.5	
Standard Accessories		Iris Control Cable Conversion Cable (6-pin→4-pin) Connection Connector (4-pin, 6-pin)	
Remarks		• With Metal Mount	

Wiring



Control Mode



Controller output	Select switch position	Conversion cable (Standard accessory)
6V	6V / IND.	Not necessary
±6V	6V / COM.	Necessary
12V	12V / IND.	Not necessary
±12V	12V / COM.	Necessary

Accessories

Extender

Model	Magnification
HE15-1	1.5×
HE20-1	2×