



M3104E1A4/P
4 cameras, 4 channels, 1TB HDD

FLIR MPX™

Megapixel Over Coax Security Systems

The FLIR MPX M3100E Series Bundles use the latest HD-CVI technology, giving you the flexibility to upgrade security systems to HD resolution using an existing coax cable. Ideal for retrofit, upgrading to HD is now easier than ever. The included dome cameras boast 720p HD resolution with IR night vision. Plus, download the FLIR Cloud™ app and take advantage of remote access anywhere you go via iOS, Android, PC or Mac devices.

HD PICTURE QUALITY

Experience outstanding 720p resolution over coax

- 1/2.9" 1.3MP IR dome cameras included, 3.6mm lens
- 720p (1280x720) resolution @ real-time (25/30fps per channel)
- IR night vision range up to 76ft (23m)

EASY INSTALLATION

Upgrade to HD without the expense of re-cabling

- Standard BNC connection – no networking complexities
- Upgrade analog systems to HD without the expense of re-cabling
- All-in-one DVR & security camera bundles include the full system plus HDD

SUPERIOR PERFORMANCE

Virtually no latency, even with extended cable runs

- Smooth real-time viewing with zero video latency
- Extended cable runs of up to 2300ft (700m)
- Two-way communication over coax allows for easy connection and control of PTZ cameras (PTZ cameras sold separately)

QUICK & SECURE REMOTE VIEWING

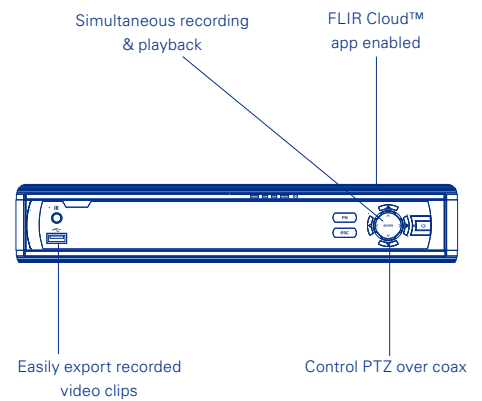
Remote access via iOS, Android, PC & Mac with FLIR Cloud™

- Set up remote viewing in 3 easy steps: install FLIR Cloud™ app, scan QR code on DVR and start viewing live video
- Multisite viewing with FLIR Cloud™ CMS for PC & Mac



Specifications

DVR Specifications System		M3104E1A4/P
Operating System	Linux (embedded)	
Pentaplex	Simultaneous view, record, playback, backup & remote monitoring	
Number of Channels	4	
Inputs/Outputs		
Video IN	4 x 1Vp-p, BNC	
Video OUT	Yes, 1 VGA & 1 HDMI	
VGA OUT	Yes	
HDMI	Yes	
Audio IN	1 channel (RCA), supports 2-way talk	
Audio OUT	1 channel (RCA), supports 2-way talk	
USB Port	1 at the back, 1 at the front	
Alarm IN	None	
Alarm OUT	None	
Video Output Resolution	1920x1080 (HDMI), 1280x1024, 1024x768	
PTZ Control	RS-485 Pelco D & P Protocol	
Display		
Live Display	1, 4	
Live Display Speed	120 NTSC, 100 PAL	
OSD	ON/OFF	
System Navigation	USB mouse, IR remote controller, front panel	
Motion Area Setting	Fixed grid 396 (22x18) NTSC&PAL	
Sensitivity	100	
Firmware Upgrade	Via USB device / Network	
User Authority	By user group	
Time Synchronization	Auto time sync by NTP server	
Recording		
Video Compression	H.264	
Audio Compression	G.711	
Recording Resolution*	NTSC: 1080p (1920x1080), 720p (1280x720), 960x480, 704x480, 352x480, 704x240, 352x240, 176x120 PAL: 1080p (1920x1080), 720p (1280x720), 960x576, 704x576, 352x288, 176x144	
Recording Resolution Setting	Per camera for different resolutions	
Recording Quality Control	5 levels	
Recording Schedule	By hour, by day, by recording mode, by motion, by alarm, by channel	
Pre Recording	Max. 30 Seconds	
Post Recording	Max. 5 min / Min. 10 Sec	
Reliability	Watch-Dog, auto-recovery after power failure	
Covert Video	Yes	
Playback		
Playback	1 / 4	
Playback Speed	Variable max 4x	
Playback Players	Backup Player	
Search	By Time/Date, MD & Exact search (accurate to second)	
Log Search	Up to 1,000 lines for motion detected, configuration changes, connects/disconnects and video loss	
Audio Play	Yes	
Storage & Archive		
Storage	1 HDD (SATA)	
Maximum Capacity	Up to 4TB	
Backup Media	USB flash drive & HDD & Network	
Backup File Format	DAV or ASF file	



Specifications

DVR Specifications Cont. M3104E1A4/P	
Connectivity	
Cloud Connection	FLIR Cloud™
Supported Operating Systems	Windows™, Mac OSX
Remote Software	Client Software (PC) & Safari (Mac)
Email Notification	Text with snapshot
Instant Smart Phone & Tablet Support	FLIR Cloud™ iPad®, iPhone®, Android™ apps
DDNS Free	Free FLIR DDNS
System Configuration	Full setup configuration over network
Ports	Programmable by User
Network Protocol	HTTP, IPv4/IPv6, TCP/IP, UPNP, RTSP, UDP, SMTP, NTP, DHCP, DNS, PPPOE, DDNS, FTP, IP Filter
Network Interface	10/100-Base-TX, RJ-45
Network Speed Control	96Kb ~ 4096kb/sec. per camera
DVR General Information	
Power Consumption	Approx. 10 watts (No HDD Installed)
Supply Voltage	100VAC-240VAC, 12VDC, 2A, 50/60Hz
Unit Dimensions (W x D x H)	12.8 x 10 x 2.2" / 325 x 255 x 55mm
Unit Weight	3.3 lb / 1.5 kg (without HDD)
Operating Temperature	14° ~ 131° F / -10° ~ 55° C
Humidity	10 ~ 90% RH
Camera Specifications	
Image Sensor	1/2.9" 1.3MP
Video Format	NTSC / PAL
Effective Pixels	H: 1296 V: 736
Resolution	720p
Scan System	Progressive Scan
Sync System	Internal
S / N Ratio	40dB (AGC OFF)
Iris	AES
AES Shutter Speed	1/100 ~ 1/100,000
Min. Illumination	0.5 lux @ F1.2 (Color), 0.2 lux @ F1.2 (B&W)
Video Output	BNC (720p MPX)
Lens Focal Length / Type	3.6mm F2.0 / Fixed
FOV (Diagonal)	72°
Termination	BNC Type
IR Range / Qty.	76ft / 23m
Power Requirement	12V DC ±10%
Power Consumption	270mA, 3.2W
Operating Temp. Range	-4° ~ 140°F / -20° ~ 60°C
Environmental Rating	IP66
Dimensions	3.7 x 2.5" / 94 x 64mm
Weight (including stand)	0.7lbs / 0.3kg

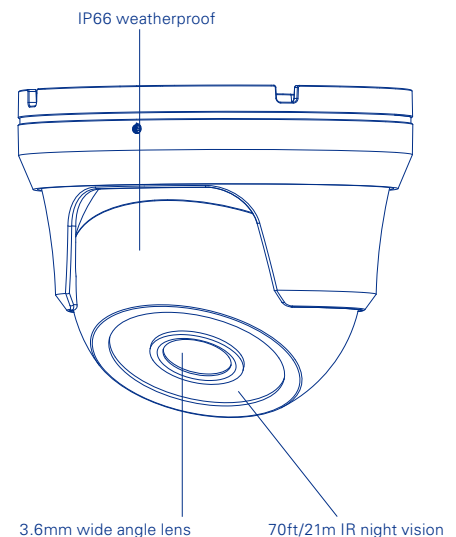
* 1080p MPX cameras are required to take advantage of 1080p recording. You may need to upgrade the DVR firmware to enable 1080p recording.

Ordering Information

M3104E1A4: 8-41430-01347-1

Package Dimensions

15.0 x 9.4 x 12.4" / 381 x 239 x 315mm



MARKHAM, ONTARIO

FLIR Systems, Inc.
250 Royal Crest Court
Markham, ON L3R 3S1
Canada
PH: +1 866.344.4674

PORTLAND

Corporate Headquarters
FLIR Systems, Inc.
27700 SW Parkway Ave.
Wilsonville, OR 97070
USA
PH: +1 866.477.3687

www.flir.com/security
NASDAQ: FLIR

Equipment described herein may require US Government authorization for export purposes. Diversion contrary to US law is prohibited. Imagery for illustration purposes only. Specifications are subject to change without notice. ©2016 FLIR Systems, Inc. All rights reserved. [Created 02/10/16]