

# DIGIMERGE | Right for Business



## DPV34D

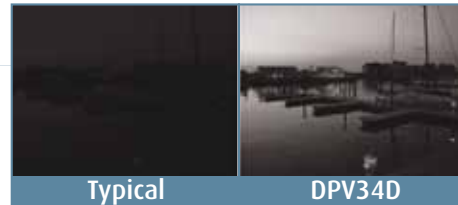
# 700+ TVL Polaris Vision Varifocal Vandal Dome Camera



Pinnacle performance reaches new heights. The DPV34D Polaris Vision Varifocal Vandal Dome Camera features the most detailed and vibrant picture quality to date utilizing the latest Sony EX-View™ II 960H CCD sensor with an Effio DSP, providing 700+ TVL resolution. Next generation Polaris Vision3 technology provides superior low light viewing and the 2.8-10.5mm Auto Iris D/N Varifocal lens ensures optimal clarity. Backed by a 5 year warranty, DPV34D incorporates Advanced Shadow Reduction, 3D-DNR, Digital Image Stabilization, and much more.

## Features

- ❖ 1/3" Sony EX-View™ II 960H with Effio DSP/700+ TVL
- ❖ Next Generation Polaris Vision3 For Superior Low Light Viewing
- ❖ 2.8-10.5mm Auto Iris D/N Varifocal Lens
- ❖ IP66 Weatherproof and Vandalproof
- ❖ Advanced 3D Digital Noise Reduction (3D-DNR)
- ❖ Advanced Shadow Reduction
- ❖ Vivid Color Reproduction
- ❖ Privacy Masking/Motion Detection
- ❖ 12V DC/24V AC Operation
- ❖ Service Monitor Output (RCA)
- ❖ Wall/Ceiling Mountable
- ❖ Junction Box Compatible (2S/4S/Octagon)



**Polaris Vision3**



**3D-DNR**



**Advanced  
Shadow  
Reduction**

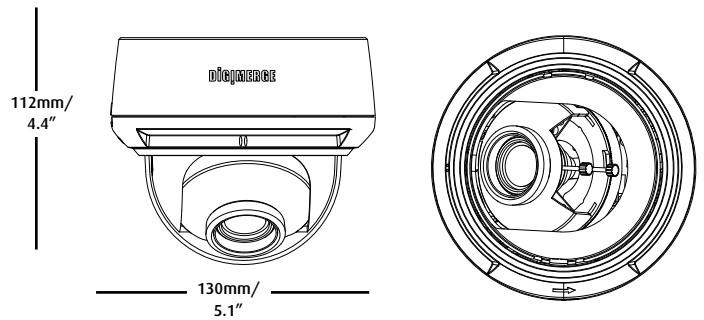


**Digital Image  
Stabilization**

# Specifications

Power Source:	DC 12V/AC 24V ± 10%
Power Consumption:	2.5 Watts
Minimum Power Requirement:	250mA
Image Sensor:	1/3" SONY EXview HAD CCD II™
Effective Pixels:	976 (H) x 494 (V)
Scanning System:	2:1 Interlace
Scanning Frequency:	15.734KHz (H) x 59.94Hz (V)
Sync. System:	Internal/Line Lock
Resolution:	700+ TV Lines
Min. Illumination:	0.1lux F 1.2 @ 50 IRE
Video Output:	1.0 Vp-p (75 ohm, composite)
S/N Ratio:	50dB (AGC OFF)
3D-DNR:	On/Off (Adjustable Gain)
D-WDR:	On (level selectable)/Off
BLC:	On/Off
HLC:	Auto/On/Off
Day & Night:	Color/BW/Auto
Motion Detection:	On/Off (4 Programmable zone)
Sens-up (DSS):	Auto/Off (Selectable limit 2x ~ 512x)
Privacy Masking:	On/Off (15 Programmable zone)
White Balance:	ATW/Push/User 1/User 2/Anti CR/ Push Back
Auto Gain Control:	High/Low luminance control
Electronic Shutter Speed:	Auto/Manual
Sharpness:	On/Off (level adjustable)
Flip:	Horizontal/Vertical/Both
Effect:	D-Zoom (pan/tilt)
Setup Method:	OSD setup menu
OSD Language:	English/Chinese
Power Input:	2-Pin terminal block
Video Output:	BNC Connector
Lens Mount:	Fixed mount
Lens:	2.8~10.5mm AI day/night varifocal lens
Operating Temperature:	-10°C ~ +50°C/14°F ~ 122°F
Operating Humidity:	0 ~ 90% (non-condensing)
Ingress Rating	IP66
Junction Box Compatibility	2S, 4S, Octagon (with incl. mounting adapter plate)
External Dimension:	130 x 112 mm (Bubble Diameter Ø95)
Weight:	TBD

## Dimensions



## Product Information

UPC:	8-41430-00745-6
Weight:	1.1kg/2.4lbs
Package Dimensions: (W x D x H)	170 x 160 x 180mm/ 6.7 x 6.3 x 7.1"
Package Cube:	0.0049 cbm/0.173cu ft

## What's Included:

User Manual
RCA - BNC Test Cable
2S / 4S / Octagon Junction Box Adapter
Surface Mounting Template

## Optional Accessories

Wall Mount (Order MNTV2XW)
Ceiling Mount (Order MNTV2XC)
Pendant Cap (Order MNTV2XPC)
Junction Box (Order MNTV2XJ)
Corner Adapter (Order MNTV2XR)
Pole Adapter (Order MNTV2XP)