



DPD24DLR

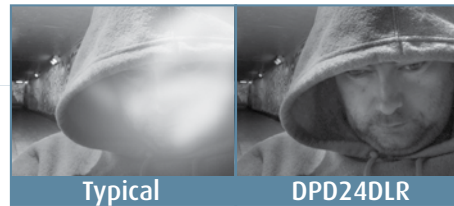
700+ TVL Smart-IR Varifocal Dome Camera



Brilliantly enriched Pinnacle performance. The upgraded DPD24DLR Smart-IR Varifocal Vandal Dome Camera now boasts 700+ TVL 960H resolution, providing a dramatic 34% increase over D1 resolution. Smart IR Night Vision prevents any wash-out effect at close range in low light conditions. The high-power Flux IR's provide evenly distributed illumination with a range of 86 ft, and the 2.8-12mm Auto Iris Day/Night varifocal lens delivers crisp picture clarity. Backed by a 5 year warranty, the Pinnacle DPD24DLR is an ideal choice for indoor applications.

Features

- ❖ 1/3" Sony ExView™ II 960H/700+ TVL
- ❖ Smart-IR Night Vision (86ft/26m)
- ❖ 2.8-12mm Auto Iris D/N Varifocal Lens
- ❖ Shadow Reduction
- ❖ Advanced Digital Noise Reduction (DNR)
- ❖ Privacy Masking/Motion Detection
- ❖ 12V DC/24V AC Operation
- ❖ Service Monitor Output (RCA)
- ❖ Wall/Ceiling Mountable
- ❖ Surface/Semi-Flush Housing
- ❖ Junction Box Compatible (2S/4S/Octagon)



Smart-IR



Advanced DNR



Shadow Reduction

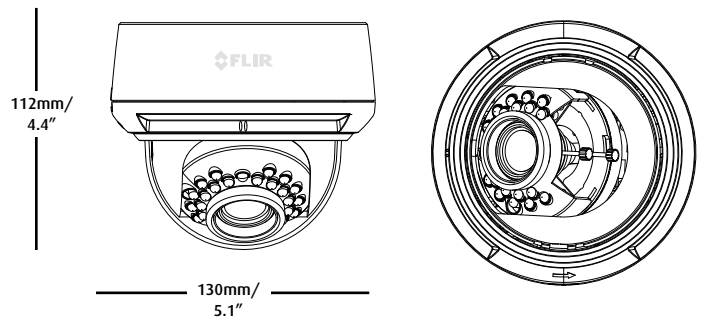


960H Resolution

Specifications

Power Source:	DC 12V / AC 24V ± 10%
Power Consumption:	6.6 Watts
Minimum Power Requirement:	560mA (IR on)
Image Sensor:	1/3" SONY 960H ExView HAD II™ High Sensitivity Color CCD
Total Pixels:	1028 (H) x 508 (V)
Effective Pixels:	976 (H) x 494 (V)
Scanning System:	2:1 Interlace
Scanning Frequency:	15.734KHz (H) x 59.94Hz (V)
Sync. System:	Internal/Line Lock
Resolution:	700+ TV Lines
Min. Illumination:	0 Lux (IR on)
Video Output:	1.0 Vp-p (75 ohm, composite)
S/N Ratio:	+54dB (AGC OFF)
DNR:	On/Off (Adjustable)
ATR	On/Off
BLC:	BLC/HLC/OFF Adjustable Size & Gain
Motion Detection:	On/Off (4 Programmable zone)
Privacy Masking:	On/Off (4 Programmable zone)
White Balance:	ATW/Manual/User 1/User 2/Anti CR/ Push/Push Lock
Auto Gain Control:	Auto/manual
Electronic Shutter Speed:	Auto/Manual
Sharpness:	On/Off (level adjustable)
Flip:	Horizontal
Setup Method:	OSD setup menu
OSD Language:	English/German/French/Russian/ Portuguese/Spanish/Japanese/Chinese
Power Input:	2-Pin terminal block
Video Output:	BNC Connector
Lens Mount:	Fixed mount
Lens:	2.8~12mm AI day/night varifocal lens
Operating Temperature:	-10°C ~ +50°C / 14°F ~ 122°F
Operating Humidity:	0 ~ 90% (non-condensing)
Junction Box Compatibility	2S, 4S, Octagon (with incl. mounting adapter plate)
External Dimension:	130 x 112 mm (Bubble Diameter Ø97)
Weight:	1.6lbs/0.8kg

Dimensions



Product Information

UPC:	8-41430-00766-1
Weight:	1.0lbs / 0.5kg
Package Dimensions:	170mm x 160mm x 180mm (W x D x H)
Package Cube:	6.7" x 6.3" x 7.1" 0.0049 cbm / 0.173cu ft

What's Included:

User Manual
RCA - BNC Test Cable
2S / 4S / Octagon Junction Box Adapter
Surface/Flush Mounting Template

Accessories:



MNTV2XB
Junction Box