



D3332 Series

32 ch. 960H Digital Video Surveillance Recorder

32 ch. Super-Res DVR, Real-Time @ 960H, HDMI, CMS, Mobile, PC/Mac, 8 HDD Support



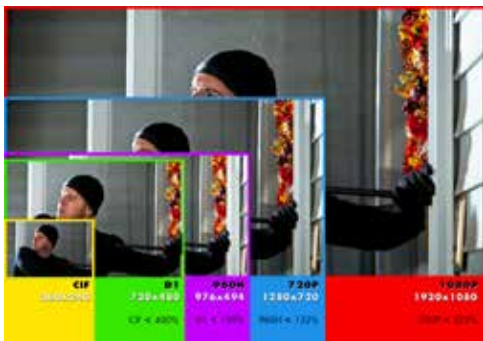
Supersize your recording capacity with the Super-R 960H 32 channel DVR! The robust FLIR D3332 DVR supports 960H Super-Res (960x480) recording at Real Time (30 fps) per channel on 32 channels.

The 960H platform records with 34% more resolution than standard D1, offering a true to life aspect ratio designed for 16:9 wide screen viewing. D3332 enables the realization of the full potential of 700+ TVL 960H cameras by providing sharper, more detailed, accurate images.

Advanced features of the 32 channel DVR include 16 Looping Outputs, HDMI, eSata backup support, CMS software, FLIR DDNS service, 8x HDD bays, full PC/Mac compatibility, and Mobile apps for iPhone, iPad and Android devices.

Features

- ❖ 960H Super-Res (960x480) recording at Real-Time per channel
- ❖ 34% greater resolution than standard D1
- ❖ True aspect ratio wide screen format, sharper, non-stretched image
- ❖ Looping BNC (x16), HDMI, VGA, Spot outputs
- ❖ CMS-D3 remote access SW, multi-site
- ❖ Mobile Apps: iPhone, Android, iPad
- ❖ Fully PC/Mac compatible
- ❖ Pentaplex operation
- ❖ Supports 8x HDD (SATA, 2TB) up to 16TB capacity
- ❖ FLIR DDNS service included
- ❖ Supports USB 2.0 or eSata back-up
- ❖ Auto Port Forwarding wizard for easy remote connection
- ❖ Supports RS485 (PTZ), Audio I/O, Alarm I/O



960H provides 34% more resolution than D1
Wider aspect ratio. No image stretching!

Stay Connected - Free Apps



✓ iPhone



✓ iPad



✓ Android



✓ Windows



✓ Mac

Advanced mobile apps with PTZ controls and remote playback.



www.flirsecurity.com/pro



System

Operating System	Embedded LINUX
Pentaplex	Simultaneous View, Record, Playback, Backup & Remote Monitoring
Number of Channels	32 Channel
System Navigation	USB Mouse, IR Remote Controller
User Authority	By user group

Inputs/Outputs

Video IN	32 x 1Vp-p, CVBS, 75ohms, BNC
Video Outputs	2 x BNC
Loop Output	16CH
Audio IN	16CH BNC
Audio OUT	2CH BNC
USB Port	2x USB, USB 2.0
Alarm IN	16CH
Alarm OUT	4ch Out
PTZ control	RS-485 Pelco D & P Protocol

Display

Video Output Resolution	800*600,1024*768, 1280*1024,1440*900, 1920x1080
Live Display	1, 4, 9, 16, 25, 32

Recording

Video Compression	H.264
Audio Compression	G.711
Recording Resolutions Supported	NTSC: 960x480 (960H), 960x240, 720x480 (D1), 720x240 (2CIF), 480x240, 360x240 (CIF) PAL: 960x576 (960H), 960x288, 720x576 (D1), 720x288 (2CIF), 480x288, 360x288 (CIF)
Recording Speed	960H (960x480) @ 30fps per channel / D1 (720x480) @ 30fps per channel
Recording Quality Control	3 levels
Motion Area Setting	Adjustable grid (30x44) NTSC Adjustable grid (36x44) PAL
Sensitivity levels	8
Pre Recording	Max. 10 Seconds
Post Recording	Max. 5 Minutes
Covert Video	Yes

Playback

Playback Channel	1/4/8/16 Adjustable
Playback Speed	Variable Max 16x
Playback Players	Backup Player
Search	By time & event
Log Search	Up to 1,000,000 lines for motion detected, configuration changes, connects/disconnects and video loss.
Audio Play	Yes

Storage & Backup

Storage	Up to 8 HDDs (SATA) 3.5"
Maximum Capacity	Up to 8 x 2TB
Backup Media	USB Flash Drive, USB External HDD, E-SATA External HDD
Backup File Format	H.264 file (AVI generator included)
Configuration Backup	Via USB Device

Network

Supported Operating Systems	Windows™ XP, Vista, 7, 8 Mac OSX Snow Leopard 10.6 or above
Browsers	Internet Explorer & Safari 6.0
Email notification	Text with snapshot
Instant Smart Phone Compatibility*	Smart Phone & Tablet Compatibility: iPad™, iPhone™, Android (version 2.2 & above).
System Configuration	Full setup configuration over network
Ports	Programmable by User
Network Protocol	TCP/IP / DHCP / UDP / DDNS / PPPoE
Network Interface	10/100-Base-TX, RJ-45
Network Speed Control	48Kb ~ 8MB/sec.
Firmware Upgrade	Via USB device and Network
Time Synchronization	Auto time sync by NTP server

General

Supply Voltage	100VAC-240VAC, 6.3A, 50/60Hz
Unit Dimensions (W x D x H)	17.32 x 18.11 x 3.5" / 440 x 460 x 89mm
Unit Weight (KGs)	7.8 kg / 17.2lbs
Operating temperature	32° ~ 104° F / 0° ~ 40° C
DDNS	FLIR DDNS included
Humidity	10 ~ 90% NC

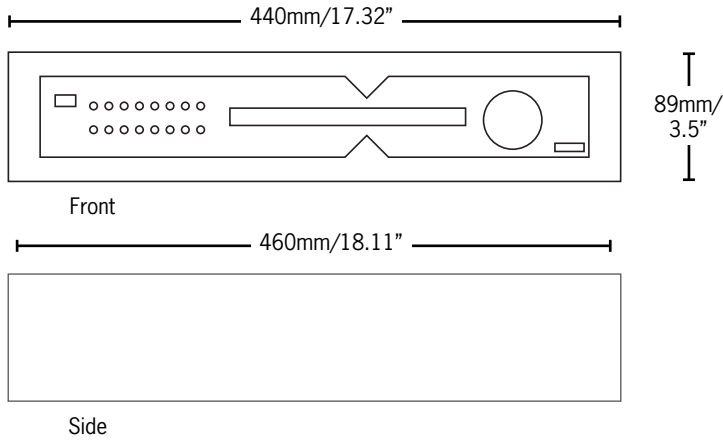
* Microsoft Windows™ is a trademark of Microsoft Corporation. iPhone®, iPad® and Mac® are trademarks of Apple Inc. Android™ is a trademark of Google Inc.

Specifications

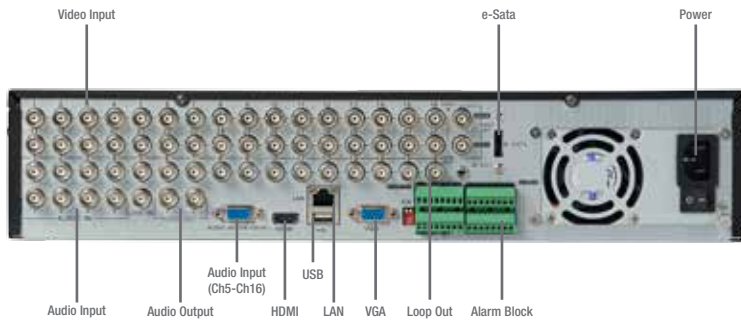
Package Dimensions

Weight:	8.1kg/17.9lbs
Package Dimensions:	555mm x 210mm x 535mm / 21.9" x 8.3" x 21.1"
Cube:	0.062 Cubic Metres / 2.2 Cubic Feet

Product Dimensions



Back Panel



Product Information

UPC:	D33322T	32 Channel 2TB HDD	8-41430-00853-8
Includes:	DVR, Remote Control, Mouse, Power Supply, Software Application CD		

