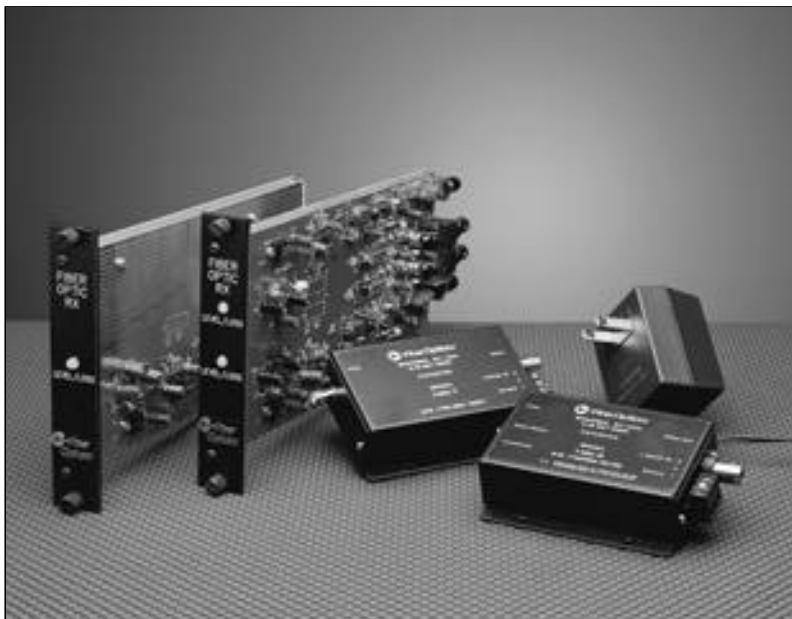
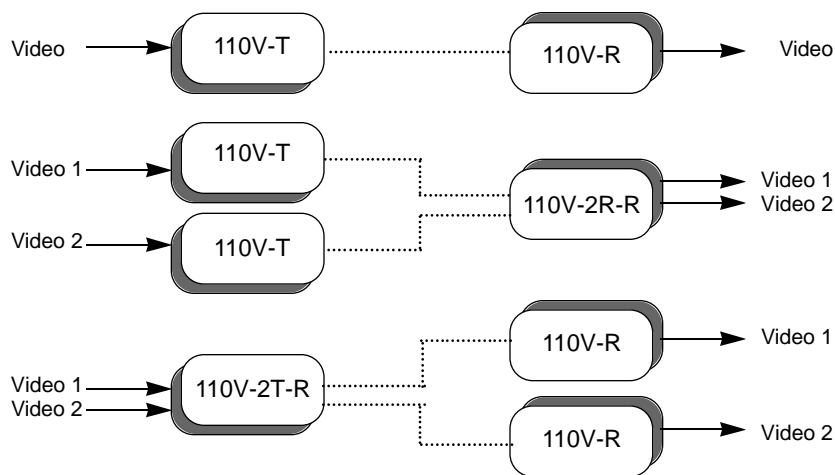


VIDEO MULTIMODE FIBER

110V



Fiber Options' Series 110V Video Transmission System is a link for transmitting standard video signals. The system, operating over distances up to 8,000 feet (2439 meters), provides superior performance and reliability for the most demanding applications.



FEATURES

- One-Way Transmission, One Fiber or Two-Fiber Dual-Channel Operation.
- AGC Circuitry.
- Works With All Cameras.
- Operates Over Distances Up To 8,000 Feet (2439 Meters).
- Dual-Channel Rack Version Available.
- Modular Units or Rack Cards.

VIDEO

- 8 MHz Bandwidth: ± 1 dB.
- Signal-to-Noise Ratio: > 50 dB @ maximum optical attenuation.
- I/O Level: 1 V peak-to-peak.
- I/O Impedance: 75 ohms.
- Differential Gain: $< 5\%$.
- Differential Phase: $< 3^\circ$.
- Connectors: Optical, AT&T Type ST; Video, BNC.

POWER/TEMPERATURE/SIZE

- 12-24 VAC @ 5 W; +12-28 VDC @ 75 mA.
- Operates at 32° to 122°F (0° to 50° C).
- Storage at -40° to 185° F (-40° to 85° C).
- Modular Units: 2.81" W X 3.75" D X 1.1" H (7.14 cm x 9.53 cm x 2.79 cm).
- Rack Units occupy one rack slot.

OPTIONS

- For AC operation order one 610P adapter per unit.

Part Number	Description	Product Code	Fiber Qty / Size	Maximum Attenuation	Wavelength	Comments/Footnotes
110V-T*	Transmitter	1BXX	1 / 62.5 μ	10 dB	850 nm	AT&T Type ST optical connectors are standard.
110V-R*	Receiver	1BXX	1 / 62.5 μ	10 dB	850 nm	
110V-2T-R**	Transmitter	1BXX	2 / 62.5 μ	10 dB	850 nm	If ordering units for use with 50 μ fiber reduce the optical budget by 3 dB. Higher optical budgets available. Consult factory.
110V-2R-R**	Receiver	1BXX	2 / 62.5 μ	10 dB	850 nm	

* For rack-mount versions of these units, add -R to the part number shown above.

**Dual-channel models (110V-2T or -2R) are available as rack cards only. For mounting for standalone use, order the 501R Miniature Enclosure and the 612P DC Adapter.