

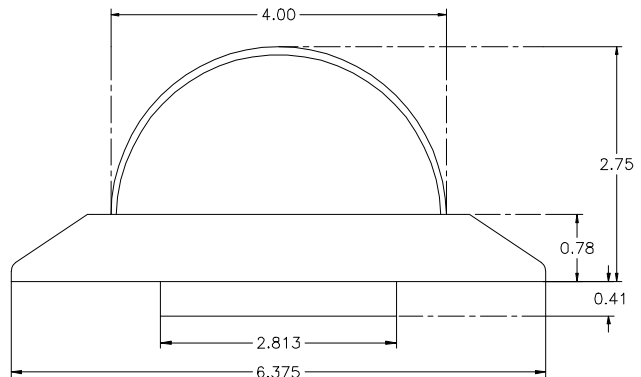
## EX47 Royal Flush Dome Camera

The EX47 Royal Flush Dome Camera incorporates all of the design features of the EX45 Hi-Impact Dome but in a wider flush design that fits into a double gang electrical box.

CNC milled to a very impressive finish of anodized aluminum, this rugged camera has a hi-tech look suitable for today's technology-wired buildings. Custom anodized colors and dome tints are available to meet architectural demands.

Hi-tech looks are matched with hi-performance optics and electronics. Extreme CCTV's S300, SX400, C300, C700, and other CCD cameras all fit into this new design. QUATTRO models that switches from color to infrared-sensitive monochrome are also available.

The EX47 can also incorporate Extreme CCTV's new varifocal auto-iris (or manual iris) lens.



*Above Top:* From left: finished EX47 Royal Flush camera, C300 CCD on ball joint, ball socket, CNC milled base, VRB power board, adapter plate for electrical boxes, retaining ring for dome, polycarbonate dome. Dimensions are in inches.

*Above:* The dimensions (in inches) indicate a 6.375" diameter to easily cover double-gang box and electrical round box openings.

*Left:* The EX47 Royal Flush is CNC milled from a solid core of aluminum and installs flush into double-gang boxes and standard electrical round boxes. Protruding only 2.75" from its installed surface, the EX47 Royal Flush makes for a very impressive appearance in its shiny metal anodized finish.

Dealer / Distributor :

**Derwent Extreme Technologies Inc.**

Global HQ: [www.ExtremeCCTV.com](http://www.ExtremeCCTV.com)

USA/Canada Operations:

4060 McConnell Dr., Burnaby, BC Canada V5A 3A8

Toll Free N.A. 888-409-2288 Tel. +1.604.533.6644 Fax +1.604.533.7800

**EX47 General Specifications** (See individual CCD spec sheets for other CCD Models)

Model	EX47C.3xx (DSP Color w/BLC)	EX47S.3xx (Backlight)
TV System	NTSC (PAL optional)	EIA (CCIR optional)
Image Sensor	1/3" CCD Color DSP Image Sensor	1/3" CCD Sony Image Sensor
Video Signal Output	1 V p-p, 75 ohm	1 V p-p, 75 ohm
CCD Effective Pixels	510 (H) x 492 (V) – NTSC	510 (H) x 492 (V)
Sync. System	Internal	Internal
Min. Illumination	3 lux @ F1.4 / 6 lux @ F2.0	0.05 lux @ F1.4 / 0.1 lux @ F2.0
Resolution	350 TV lines	420 TV Lines
S/N Ratio	>46 dB	>50 dB
Electronic Shutter	1/60 to 1/100,000 – NTSC	1/60 to 1/100,000 – NTSC
Gamma Correction	0.45	0.45
Backlight Compensation	Automatic	Manual on/off
Gain Control	AGC	AGC
Operational Range	-40°C to +50°C (-40°F to 122°F)	-40°C to +50°C (-40°F to 122°F)
Humidity Range	Up to 85% relative humidity	Up to 95% relative humidity
Power Supply	DC 12-24V DC or AC	DC 12-24V DC or AC
Power Draw	220 mA (Max.)	100 mA (Max.)
Lens (standard)	3.6mm, F2.0 wide angle lens	3.6mm, F2.0 wide angle lens
Lenses (Optional)	2.5 / 2.9 / 6.0 / 8.0 / 12 / 16 mm	2.5 / 2.9 / 6.0 / 8.0 / 12 / 16 mm
Dome	Polycarbonate	Polycarbonate
Base / Ring	CNC Aluminum Anodized (6061 T6)	CNC Aluminum Anodized (6061 T6)
Dimensions - Diameter	6.375" (162 mm) dia	6.375" (162 mm) dia
- Height from Surface	2.75" (70 mm)	2.75" (70 mm)
Weight	1.3 lbs (600g)	1.3 lbs (600g)
Line Lock / Gen Lock	Available Option	Available Option

**Part Numbers:**
***Standard Monochrome***

EX47S.3xx Monochrome, Sony CCD 420 line w/ BLC, 12/24 VRB / micro-lens  
 EX47S.6xx Monochrome, Sony CCD 600 line, 12/24 VRB / micro-lens

***Standard Color***

EX47C.3xx Color DSP, 1/3" CCD 350 line w/ BLC, 12/24 VRB / micro-lens  
 EX47C.7xx Color DSP, 1/3" CCD 480 line w/BLC, 12/24 VRB, / micro-lens

***X-Wave Extended Infrared Sensitive***

EX47SX.4xx Mono DSP 1/3" CCD SX400 X-IR, 380 TVL, BLC, 12/24 VRB/ micro-lens  
 EX47QX.4xx Quattro DSP 1/3" CCD, CX400 X-IR, 380 TVL, BLC, 12/24 VRB/ micro-lens  
 EX47QX.6xx Quattro DSP 1/3" CCD, CX600 X-IR, 480 TVL, BLC, 12/24 VRB/ micro-lens

XX – Specifies lens provided at time of order

**02** - 2.5 mm      **04** - 3.6 mm      **08** - 8.0 mm      **16** – 16.0mm  
**03** - 2.9 mm      **06** - 6.0 mm      **12** - 12.0 mm

**Options:**      **NOTE: See Tech Sheet EX46/EX47/EX48 w/Varifocal for Varifocal Models.**

**EXPS.001** Power Supply, 12 VDC, 1.0 amp, w/ 2.1 mm plug connector  
**EXPS.002** Power Supply, 12 VDC, 0.5 amp, w/ 2.1 mm plug connector  
**LLM.100** Line Lock Module with Digital Phase Adjust

Dealer / Distributor :

**Derwent Extreme Technologies Inc.**
**Global HQ: www.ExtremeCCTV.com**
**/Canada Operations: 4060 McConnell Dr., Burnaby, BC Canada V5A 3A8**
**Toll Free N.A. 888-409-2288 Tel. +1.604.533.6644 Fax +1.604.533.7800**



**Extreme CCTV™**  
SURVEILLANCE SYSTEMS

Model: EX47 Royal Flush Series

Specifications subject to change without notice

Patent Pending © Extreme CCTV 2000

EX47 v4. 00/04/22

*Dealer / Distributor :*

***Derwent Extreme Technologies Inc.***

***Global HQ: [www.ExtremeCCTV.com](http://www.ExtremeCCTV.com)***

***/Canada Operations: 4060 McConnell Dr., Burnaby, BC Canada V5A 3A8***

***Toll Free N.A. 888-409-2288 Tel. +1.604.533.6644 Fax +1.604.533.7800***