

EX10 Waterproof Corrosion Resistant Camera

A two-piece injection molded design allows a watertight seal for IP67 and NEMA 6 & 6P ratings. Made of corrosion-proof Nylon and stainless steel, this compact egg shaped camera has remarkable performance for all environments:

- wash down applications
- food processing
- clean rooms
- marinas
- caustic soda environments
- acid / alkali environments
- swimming pools
- sewage treatment plants



Easy access to the internal electronics reveals voltage regulation, spike protection, and the ability to convert up to 24 volts of DC or AC power to a clean DC voltage to ensure long, reliable CCD camera operation. Pre-wired with a 5 foot (1.6 m) pigtail for plug and play installation, the EX10 is available with fixed lenses from 2.9 mm to 25 mm.

The EX10 is available in monochrome and color models. A nylon wall bracket is included with each order. A stainless steel U-bracket can be ordered as a no-charge option in lieu of the wall bracket.



Features:

- Injection molded Nylon housing
- Stainless steel hardware
- Clear polycarbonate window
- Protected, insulated, heated environment with dessicant pack for humidity control
- Sony 1/3" CCD Monochrome Standard
- Sony 1/3" CCD Color available
- Voltage regulation /Power protection
- Input power in 12 – 24 volts AC or DC
- Universal mounting bracket included
- Tested to – 60 deg C (- 76 deg F)
- IP67, NEMA 6, NEMA 6P Ratings for protection from rain, snow, circulating dust, corrosive agents, temporary and prolonged submersion.

Specifications: EX10S.300 Monochrome
(See CCD Tech Sheets for other models)

Pick-up device	Sony 1/3" CCD B/W interline
Resolution	>420 TV lines
Video output	1 V p-p, 75 Ohm, NTSC
S/N	>50 dB
Spectra sensitivity	400 to 940 nm
Light sensitivity	0.05 Lux (F1.2)
Electronic iris	1/60 to 1/100,000 second
Auto gain control	>18dB
Input power	12 VDC or 24 VAC
Power consumption	<120mA at 12VDC
Ambient operation temperature	-60° C to + 60° C (-76° F to +140° F)



Above: A black EX10 with the optional D-Bracket makes for a modern architectural design, available in white or black.

Lenses: (other models (2.5mm to 25.0 mm) available on request)					
Focal Length (mm)	3.0	3.6	6.0	8.0	12
F	2.0	2.0	2.5	2.0	2.0
Viewing Angle (H)	120°	92°	53°	40°	25°

Enclosure	Injection molded nylon
Max. Dimensions	132mm L x 76mm Diameter (5-3/16" L x 3" Diameter)
Weight	375g (0.83 lb)
Window	Polycarbonate (clear)
Bracket "U"	U-bracket- stainless steel (optional)
Bracket "N"	Reinforced nylon wall (standard)



Above: A black EX10 with a clear (non-tinted) window can be installed to black ceilings in commercial and industrial locations for discrete surveillance without loss of any lux levels.

Part Numbers:

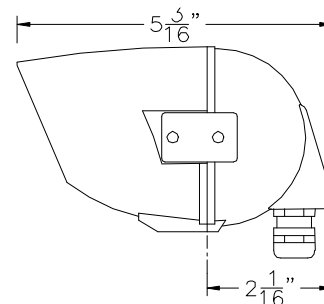
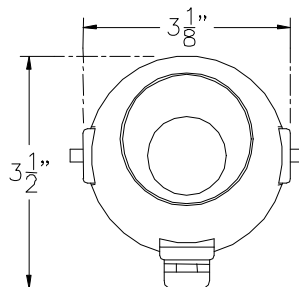
- EX10S.3xyz** S300 Monochrome, Sony CCD, BLC, various lenses
EX10S.6xyz S600 Monochrome, Sony CCD, BLC, various lenses
EX10C.3xyz C300 Color, CCD 350 Lines, various lenses
EX10C.7xyz C700 Color, CCD 480 Lines, various lenses
EXPS.002 Power Supply, 12 VDC, 500 mA

xx – Specifies lens provided at time of order

- 02** - 2.5 mm **04** - 3.6 mm **08** - 8.0 mm **16** - 16.0 mm
03 - 2.9 mm **06** - 6.0 mm **12** - 12.0 mm **25** - 25.0 mm

y – Specifies Color : W – White, B – Black

z – Specifies Bracket : N – Nylon Wall Bracket,
 D – D-bracket
 U – U-bracket



Specifications subject to change without notice

Patent Pending - © Extreme CCTV 2000

EX10_V6.doc 07/11/00

Dealer / Distributor :

Derwent Extreme Technologies Inc
Global HQ: www.ExtremeCCTV.com

USA / Canada: 4060 McConnell Drive, Burnaby, BC Canada V5A 3A8
Toll Free N.A. 888-409-2288 Tel. +1.604.533.6644 Fax +1.604.533.7800