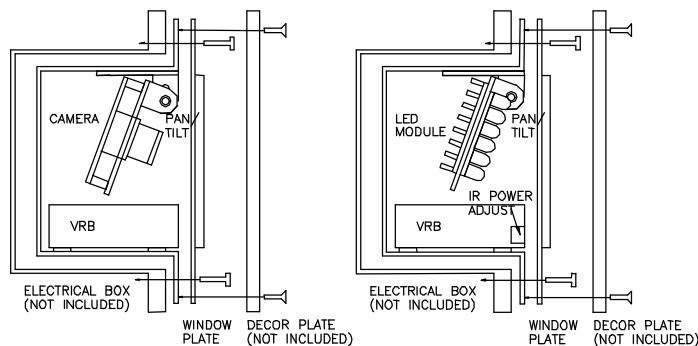
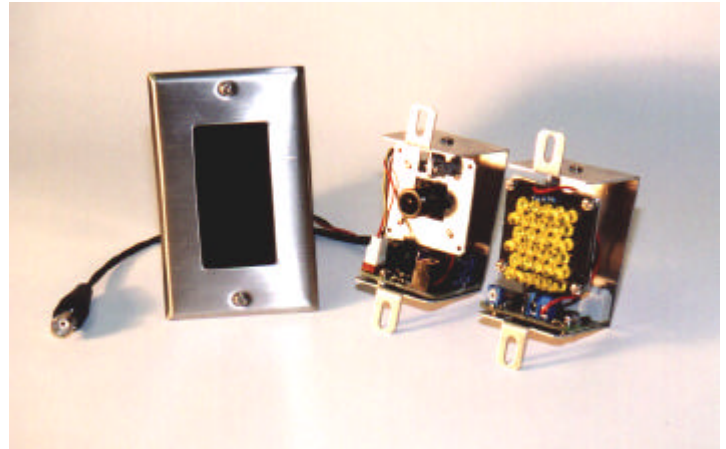


## EB Series

Electrical Box Camera: EB-S300

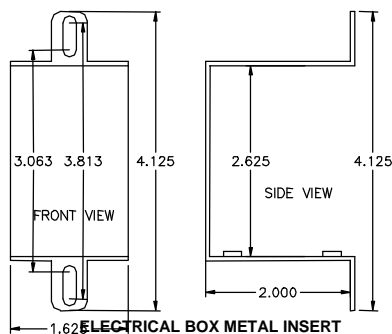
Electrical Box Infrared: EB-IR

The EB Series of cameras and illuminators allows very effective day/night surveillance for access control enhancement. The EB-S300 camera is IR Optimized for excellent low light and no-light performance in the infrared. The unique simple-to-install camera is fitted with pan/tilt adjustable hardware. All lenses from 2.5 mm to 16 mm are possible, and the spike protecting regulator board allows for 12 vdc or 24 vac input power. A dark red optical screen makes this camera effectively discreet. The EB-IR is a unique infrared illuminator comprising of 32 high efficiency LEDs at 850 nm or 940 nm. A variable resistor operates as a “dimmer switch” to allow the installer to control the light to optimize the picture required at the distance desired. The EB-IR is also pan/tilt adjustable. Picture performance from 1 foot to 20 feet can be expected.



**EB-S300 CAMERA**

**EB-IR850 / EB-IR940**



### ***EB-IR Series Infrared Illuminator***

#### ***Features:***

- 30 High Efficiency LEDs
- Easy fit to single gang boxes
- Décor style optical window
- 850 nm and 940 nm options
- Voltage Regulator equipped
- 12 VDC or 24 VAC operation
- Less than 0.5 amp at 12 volts
- Elevated LEDs for individual directional control
- Pan/Tilt for full head control
- 30 foot (10 m) performance in total darkness (at 850 nm).
- Control “Pot” acts as a dimmer for light optimization
- Easy Installation

Dealer / Distributor :

**Derwent Extreme Technologies Inc.**  
Global HQ: [www.ExtremeCCTV.com](http://www.ExtremeCCTV.com)

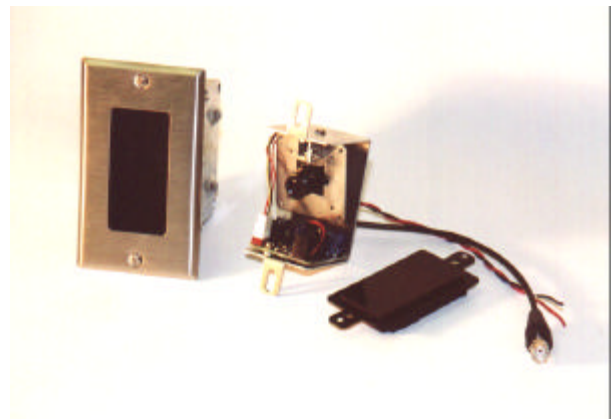
USA / Canada: 4060 McConnell Drive, Burnaby, BC Canada V5A 3A8  
Toll Free N.A. 888-409-2288 Tel. +1.604.533.6644 Fax +1.604.533.7800

## EB Series

Electrical Box Camera: EB-S300

Electrical Box Infrared: EB-IR

The EB-IR operates at 850 nm or 940 nm, incorporating 30 high-efficiency LEDs that are each elevated above its PCB to allow for individual directional control. Each EB Series product includes an electrical box metal insert and a metal framed Décor style optical window. (The Décor cover plate and the electrical gang box are not included).



### Applications:

- *Close-Up, "in your face"*
- *Day/Night Surveillance*
- *Access Control Integration*
- *Video Verification*
- *Home Automation*
- *ATM Bank Machines*

### Part Numbers:

#### Illuminators:

**EB-IR850**            850 nm / 30 LEDs  
**EB-IR940**            940 nm / 30 LEDs

#### Cameras:

**EB-S3xx**            EB-S300 camera

Note: xx =  
02 for 2.5 mm lens  
03 for 2.9 mm lens  
04 for 3.6 mm lens  
05 for 4.3 mm lens  
06 for 6.0 mm lens  
08 for 8.0 mm lens

#### Optional Items:

**PCEB1.0**            Photocell for Elect.Box  
**EXPS.002**           12 VDC Power Supply



Note: These are unretouched digital video stills. Actual camera resolution is better.

Top Left:

A typical daytime scene with ample fluorescent lighting clearly shows Sylvia about to switch off the lights



Middle:

With the lights off, all of the details are lost. Sylvia's silhouette is seen only because of the light leakage coming through the door.

Bottom:

The same dark scene is uncovered with one EB-IR 850 nm infrared illuminator. Because the S300 CCD camera used is IR Optimized, only 6 watts of energy is required to create this high signal – low noise picture. All of the same detail expected in a daytime photo is now seen under infrared reflectance.



Dealer / Distributor :

**Derwent Extreme Technologies Inc.**

**Global HQ: [www.ExtremeCCTV.com](http://www.ExtremeCCTV.com)**

**USA / Canada:** 4060 McConnell Drive, Burnaby, BC Canada V5A 3A8  
**Toll Free N.A. 888-409-2288 Tel. +1.604.533.6644 Fax +1.604.533.7800**