



FPS

The cost-effective system for a decent level of security

FPS | patented technology + versatile use



Function

FPS provides an excellent and simple level of security amongst mechanical locking systems. With its tried and tested technology, FPS is ideally suited for small master key systems. It goes without saying that FPS also has a feature unique to EVVA. The optimised key cuts and the associated low wear ensure a higher level of safety.

The benefits of FPS at a glance

- › for small master key systems
- › in wear-resistant design
- › in compact design
- › patented key profile

al Profile System

» Two security levels, ideal for small master key systems «



FPS | decent security

FPS is ideal for small master key systems and clearly defined user groups. For instance on doors within residential complexes or office buildings.

EVVA plans for comprehensive extensions without lowering the level of security within the system.

Projects implemented with FPS

In cooperation with qualified EVVA-Partners, EVVA has been fitting security technology in a wide variety of buildings throughout Europe and the world for decades. Benefit from this experience:

Veterinary Clinic Suhar | Oman

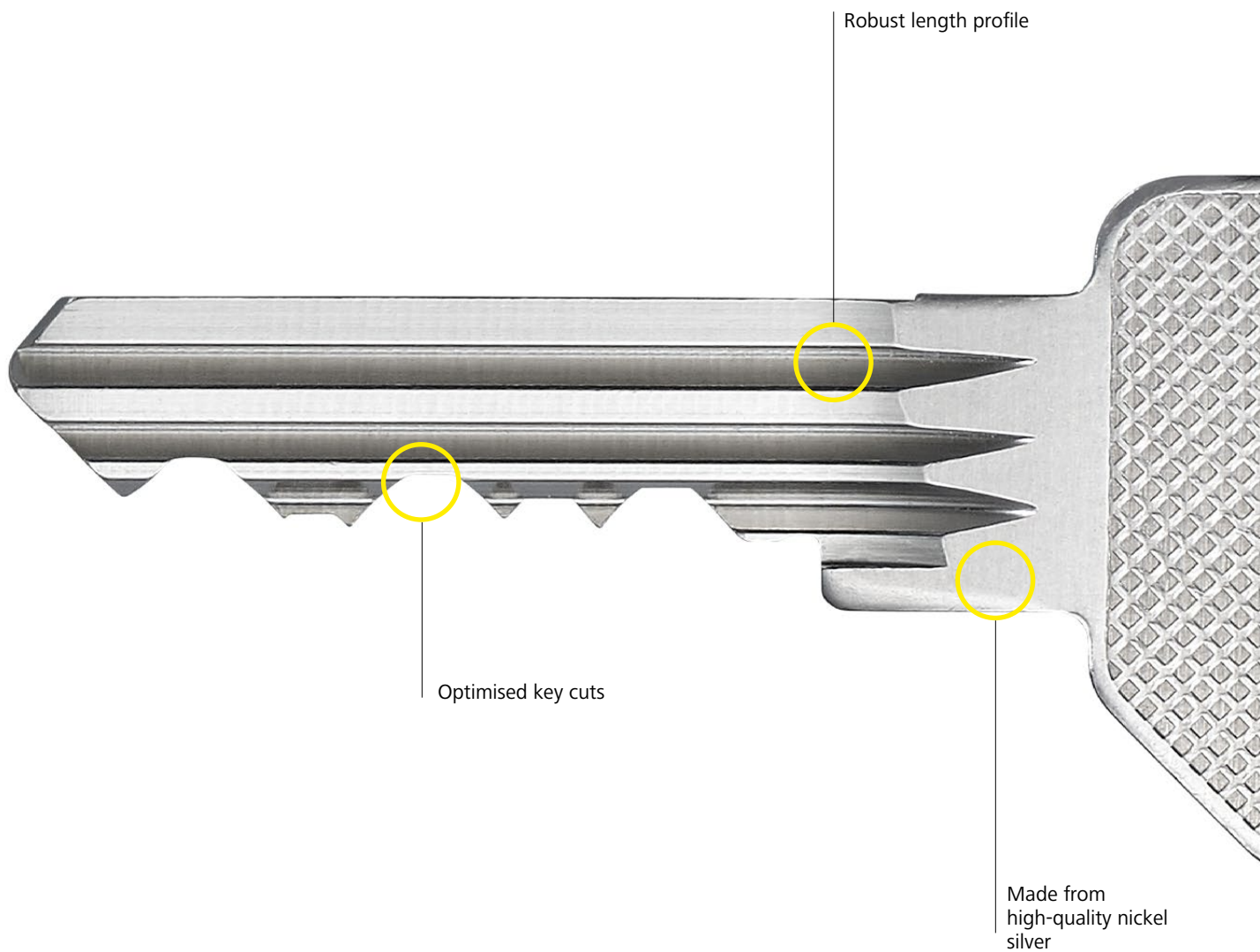
On the Arabian peninsular, in Oman, a veterinary clinic relies on FPS from EVVA. A total of 31 cylinders protect the facility, 93 individual keys were handed out.

Zámecké návrší Litomyšl - Regionální muzeum | Czech Republic

The well-established and long-standing museum on Castle Hill Litmomysl relies on EVVA's FPS system. 76 cylinder have been installed, 98 keys are in use.

Find out more about our reference projects at www.evva.com

FPS key | established technology and robust design



One key | many features

FPS keys are made of durable nickel silver and stand out thanks to their protected, overlapping key profile. This makes them wear-resistant and durable. The intersecting profile makes it even more secure and reduces the risk of illegal duplicate keys.

The genuine FPS key is produced exclusively by EVVA and is available from EVVA-Partners only.

Optimum grip and ergonomics



Ergonomic, design key bows

FPS keys are optionally available with the new, ergonomically shaped and high-quality design key bows. The appealing design is available in black, red and blue.

Benefits

- Easier to distinguish between keys
- Simple master key system management thanks to colour allocation
- High quality for an improved feel



EVVA | uniquely secure

EVVA continuously invests in research and development and always strives to develop new key technologies. As a result, EVVA always meets the increasing requirements for security and organisation.

FPS system technology offers three different levels of protection against key copying, illegal, duplicate keys and key manipulations:

Repeat orders exclusively available when the EVVA security card is presented

Key copies, additional cylinders and lock charts are exclusively available from an authorised EVVA-Partner providing the relevant proof of legitimacy only, i.e. the EVVA security card.

Legal protection through long patent protection

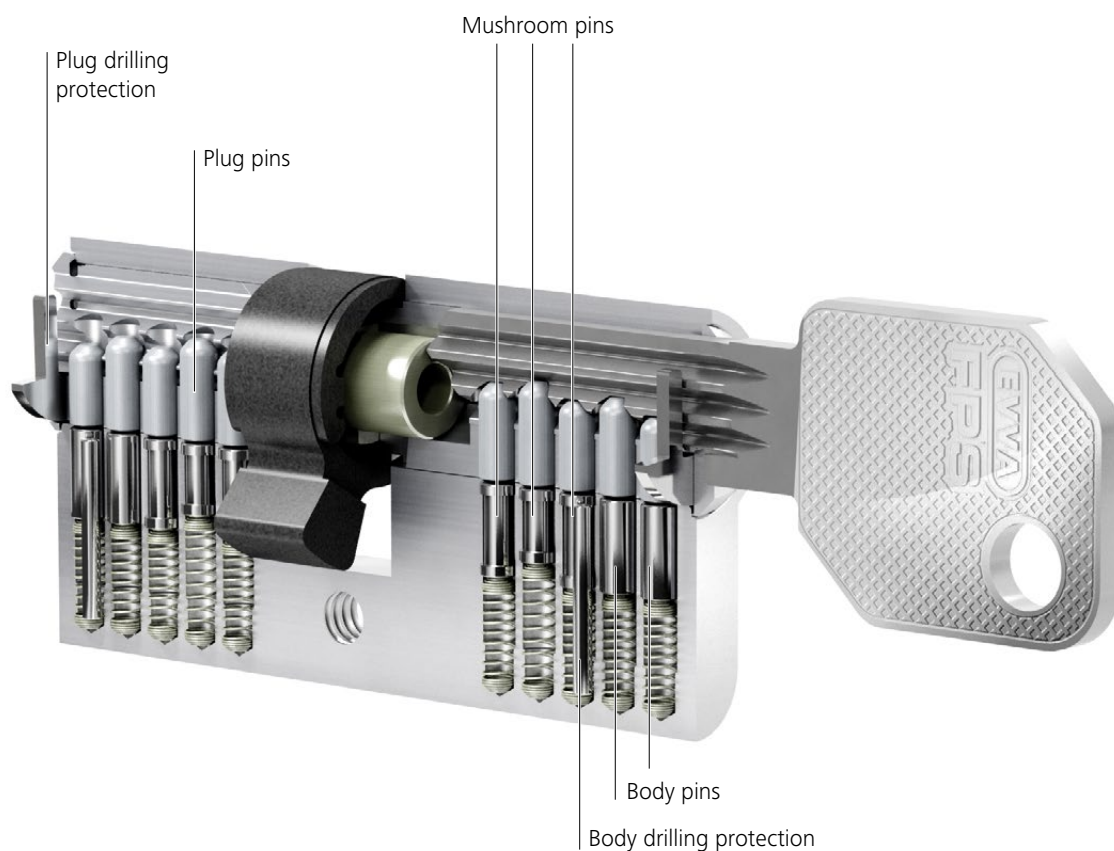
Commercial manufacturing of EVVA keys takes place exclusively on EVVA premises. All EVVA products are available from authorised EVVA-Partners only. EVVA prevents FPS keys from being produced without authorisation by adding patented features to the keys. EVVA can take legal action if it comes to light that key copies have been commercially produced without authorisation. The patent protection for the FPS system is valid until 2026.

FPS cylinder | patented technology for a decent level of security



One cylinder | many details

FPS features a pin tumbler system with five or six active, spring-loaded scanning elements. The authorisation features on the FPS key are verified in the lock cylinder – on two security levels: the patented key profile system and the solid locking pins. FPS cylinders are exclusively manufactured in compact design.



In any situation | more protection

The reliable FPS cylinder technology offers lasting protection against illegal opening methods:

Drilling protection

Features hardened steel elements as standard for protection against drilling.

Picking and scanning protection

Picking protection impedes picking or scanning the lock cylinders. Therefore, the FPS cylinder is harder to open with lock picking tools. In the compact version, the FPS cylinder is protected from picking and scanning with mushroom pins.

FPS cylinder options

One single locking system may require different options

The FPS options make it possible:

External key override function on both sides; thumb turn and anti-blocking function; vario function; protection against dust and weather influence; free-wheel function; cogwheel cam and much more.

The international FPS certifications and country-specific models mean products are suitable for use throughout Europe:

www.evva.com

┌

┐

┌ Handed over by

┐