

Datasheet | EMZY "MCU MI" Micro controller

The micro controller for the EMZY (electronic motorised cylinder) has been miniaturised to the point where it can be installed in conventional flush-mounted boxes. An interactive learn mode for automatic detection of the locking function makes it very simple and quick to put into service. Activated by a door button, access control systems, motion detectors or even timers, the motorised knob will perform release and lock operations and the door's status will be monitored continuously.

Functional characteristics

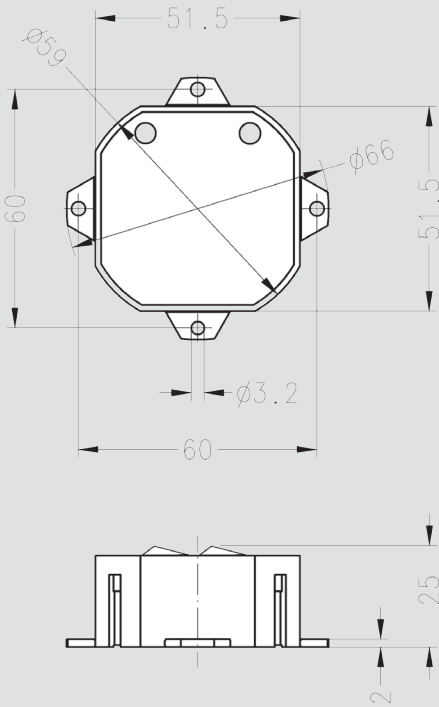
- ▶ Automatic detection via interactive learn mode: knob button mode, turn direction, number of cycles, bolt contact yes/no, latch retraction activation yes/no
- ▶ The controller provides an alarm report contact for transmission of alarm states (sabotage, door break-open, door open time exceeded)
- ▶ Permanent monitoring of door status by means of bolt and door contact (open, closed, sabotaged)
- ▶ Remote controlled by access control systems or time clocks, the micro controller is activated by a door button contact
- ▶ The controller's parameters can be simply and conveniently set by the dealer with configuration software, an USB adapter module and the help of a PC.

Performance features

- ▶ The controller can be put into service very quickly because of its interactive learn mode. This permits automatic detection of the lock's characteristics, like latch retraction functions as well as locking cycles and turn direction - without any PC or programming device.
- ▶ An optically appealing assembly as a retrofit; the micro controller's form factor permits its installation in a conventional flush-mount box, e.g. as required for protected historic structures.
- ▶ Settable micro controller parameters: door open time, unlocked time, locking time delay, door open relay active time, latch retraction activation time, manipulation/correction wait time, number of additional correction attempts, knob button function (door button, door button with change, day/night switch), function of the freely definable input (external day/night changeover switch, second enable criterion, lockup button), function of the alarm report contact, function of the signal relay (collective alarm, door opener function, etc.)
- ▶ Applications: controlled locking/unlocking, automatic locking/unlocking for detected proximity or motion or access control, time clock controlled locking/unlocking, centrally controlled locking/unlocking from control panel electronics or building management systems



EMZY micro controller



Technical data

EMZY micro controller "MCU MI"

Power supply:	DC 12 V +/- 5 %, 1 A min.
Maximum power consumption:	15 VA
Emergency power supply:	can be implemented by the installer, prescribed specifications must be upheld
Temperature range:	-20 °C to +70 °C
Humidity:	20 % to 80 %, not condensing
Housing dimensions (W×H×D):	66 × 66 × 23 mm, 25 mm depth with mounting tabs (incl. terminal clamps)
Installation dimensions:	suitable for standard flush-mount box UP58 ÖNORM E 6508 T1-4, DIN 49073-1
Maximum motor cable length:	10 m, EVKA
Door opener relay, maximum load:	30 V, 1 A DC/AC, included power adapter is not intended to supply the door opener
Connection terminals:	maximum wire size, 1.5 mm ²
Weight:	40 g

"MCU NT" power adapter for EMZY micro controller "MCU MI"

Power supply:	AC 230 V +/- 10 %, 50 Hz, 35 VA
Output voltage:	DC 12 V at 1 A
Housing dimensions (W×H×D):	71 × 72 × 45 mm
Installation dimensions:	80 × 80 mm, suitable for standard flush-mount box
Weight:	210 g

Accessories

EVKA	10 m EMZY motor connection cable, applicable for all controllers and EMZY motorised cylinders
ERK1/WS-OEM	white colour door contact, built-in or build-on attachment possible; 1.5 m connection cable
ERK1/BR-OEM	brown colour door contact, built-in or build-on attachment possible; 1.5 m connection cable
ERK4/WS-OEM	special door contact for metal doors; with installation pan; 1.5 m connection cable
EKA0/WS-OEM	30 cm opener cable transition; colour white; includes two end pieces for installation
EKA0/BR-OEM	30 cm opener cable transition; colour brown; includes two end pieces for installation
EKA0/CR-OEM	30 cm opener cable transition; colour chrome; includes two end pieces for installation
ERKO-OEM	bolt contact; massive design, 2 m connection cable; with changeover contact
MCU USB	EMZY 2.x parameter setting adapter with USB-interface for PC