



EQ 550 D – 1/3" day/night camera, high resolution, static IR cut filter

Specifications

Sensor: 1/3" Sony IT Colour CCD
Picture element: 752 (H) x 582 (V)
Horizontal resolution: 530 TV lines
Sensitivity: 0,002 lux (sens-up x 128), 0,25 lux / F=1.2
S/N ratio: >50 dB (AGC off)
Gamma correction: 0,45
OSD: yes
Day/night control: automatic colour – b/w switching,
 2 sensitivity levels / OFF

Lens selection: direct drive (DC) / manual
Shutter selection: automatic / manual / flickerless
Back light compensation: off / low / middle / high
Colour temperature BIAS: adjustable
White balance: ATW (2500~8300°K) / AWC / manual
AGC: off / low / middle / high
DNR (Dynamic Noise Reduction): off / low / middle / high

Digital slow shutter: off / auto: x2 ~ x128 selectable
Camera ID: on / off
Privacy zones: on / off (4 zones, position/size/zone)
Sharpness: on / off (adjustable level)
Horizontal mirror: on / off
Video output: BNC VBS, 1,0 Vp-p, 75 Ohm
Sync. mode: internal / line lock
Audio: microphone output 500 mV max. / 47 kOhm, cinch
Serial interface: RS-485 (protocols: EverFocus / Pelco-D)

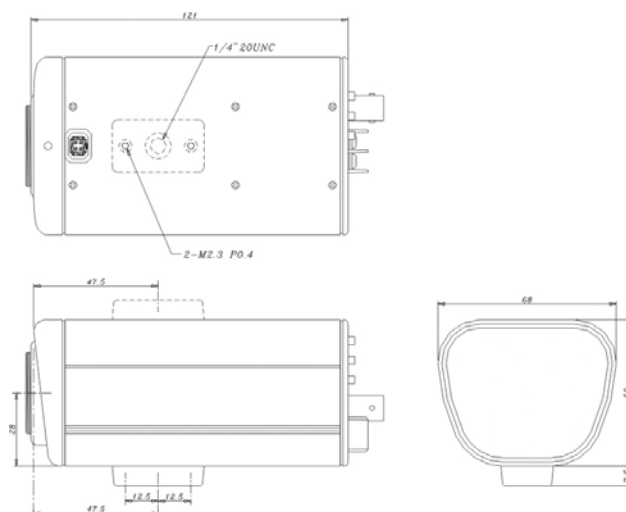
Power source: EQ 550 D A/P: 12 V DC / 24 V AC,
 EQ 550 D / P: 100 ~ 240 V AC

Power consumption: EQ 550 D A/P: 7W,
 EQ 550 D / P: 11W

Ambient temperature: 0°C ~ +50°C
Dimensions: 68 (W) x 56 (H) x 101 (D) mm
Weight: 600 g

Features

- super-high resolution technology (530 TV lines)
- built-in DNR (dynamic noise reduction)
- static IR cut filter, optimized for applications without IR lamps
- advanced 16-bit digital signal processor (DSP)
- on-screen programming
- 4 adjustable privacy zones
- support of both C-mount and CS-mount lenses



EQ550D_db_en_rev04