



EHD 300 E – 1/3" colour rugged dome camera



Specifications

Sensor: 1/3" SONY CCD
Picture element: 752 x 582 (PAL)
Horizontal resolution: 520 TV lines
Sensitivity: 1,0 lux / F = 1.2
Video output: 1 Vp-p composite PAL
S/N ratio: over 48 dB
Gamma correction: 0,45
Synchronisation: internal
Back light compensation: on / off
Auto white balance: yes
AGC: on / off
Electronic shutter: 1:50 ~ 1:100.000
Tamper contact: micro switch
Lens: DC varifocal lens, f=4~9mm
Alignment: 3-axis adjustment of camera module
Casing: aluminium, dome polycarbonate, clear
Weatherproof rating: IP 66

Power source: 12 V DC +/- 10%, 24 V AC +/- 10%
Power consumption: 5 W max.

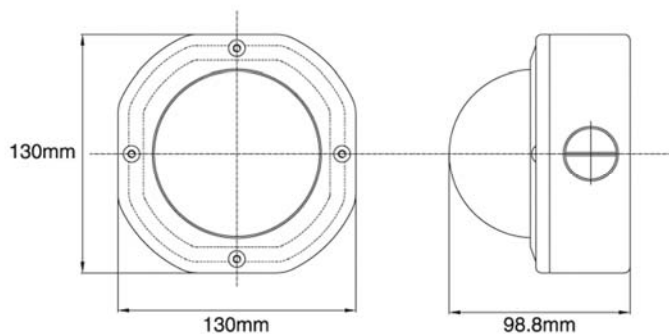
Ambient temperature: -10°C ~ +50°C
Dimensions: 130 (W) x 130 (H) x 99 (D) mm
Weight: 1,0 kg

Accessories



EHD WMA – wall mount bracket

Material: aluminium
Dimensions: 150(W) x 110(H) x 170(D) mm
Weight: 600 g
Max. load: 4 kg
Application: with EHD camera series



EHD300E_db_en_rev00