



ED 300 E – 1/3" colour mini dome camera, high resolution

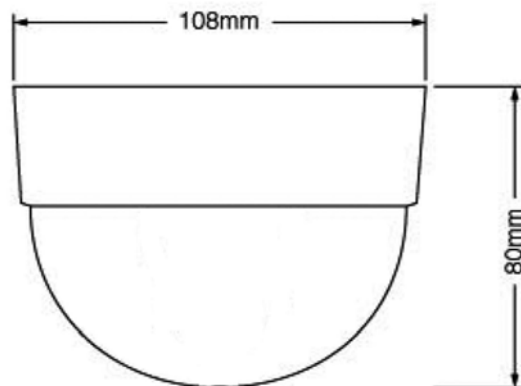


Specifications

Sensor: 1/3" SONY CCD
Picture element: 752 x 582 (PAL)
Horizontal resolution: 520 TV lines
Sensitivity: 1,0 lux / F = 1.2
Video output: 1 Vp-p composite PAL
S/N ratio: over 48 dB
Gamma correction: 0,45
Synchronisation: internal
Back light compensation: on / off
Auto white balance: yes
AGC: on / off
Electronic shutter: 1:50 ~ 1:100.000
Lens: DC varifocal lens, f=2,6~6,0mm, F=1.4~1.8
Colour: black or white base

Power source: 12 V DC +/- 10%, 300 mA /
24 V AC, 200 mA

Ambient temperature: 0°C ~ +50°C
Dimensions: 108 (D) x 80 (H) mm
Weight: 460 g



ED300E_db_en_rev00