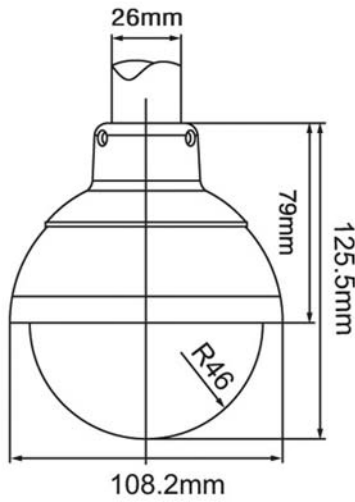




Colour Cameras



▶ EPD 200 N - 1/3" colour pendent camera, standard resolution

Specifications

Sensor: 1/3" SONY CCD
 Picture element: 500 x 582 (PAL)
 Horizontal resolution: 340 TV lines
 Sensitivity: 0,3 lux / F = 1.2
 Video output: 1 Vp-p composite PAL, BNC
 S/N ratio: over 48 dB
 Gamma correction: >0,45
 Synchronisation: internal
 Back light compensation: on/off
 Auto white balance: yes
 AGC: on/off
 Flickerless function: on/off
 Electronic shutter: 1:50 ~ 1:100.000
 Lens: DC varifocal lens f = 3,8 ~ 9,5mm (IR-corrected)

Power source: 12V DC / 24V AC
 Power consumption: 3W max.
 Ambient temperature: 0°C ~ +50°C
 Dimensions: 108 (D) x 125,5 (H) mm
 Weight: 200 g



▶ BA 18 - bracket

Material: mounting plate steel,
 tube aluminium

Length: 300 mm
 Max. load: 1 kg
 Application: with EPD 200 N



▶ BA 19 - bracket

Material: mounting plate steel,
 tube aluminium

Length: 700 mm
 Max. load: 1 kg
 Application: with EPD 200 N